

A

INITIAL RELEASE

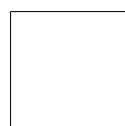
12/11/92



JH

12/11/92

CA#####-###



FALCON030/MICROBOX

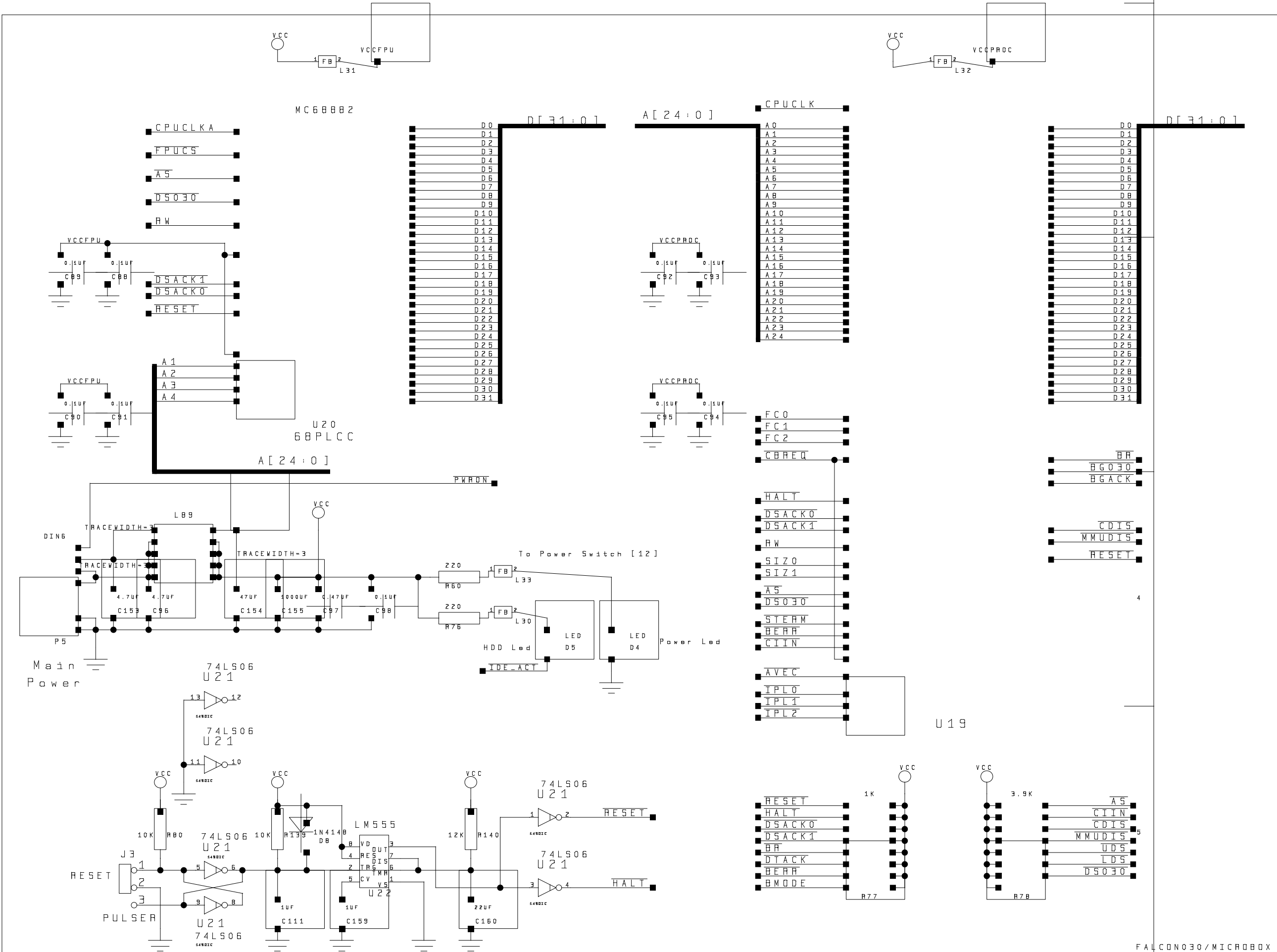
D

C#####-###

1

3-3-2024_22:32

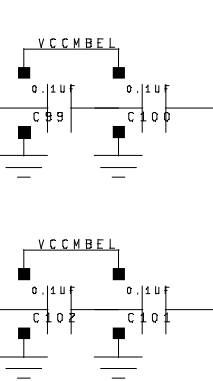
1 OF 16



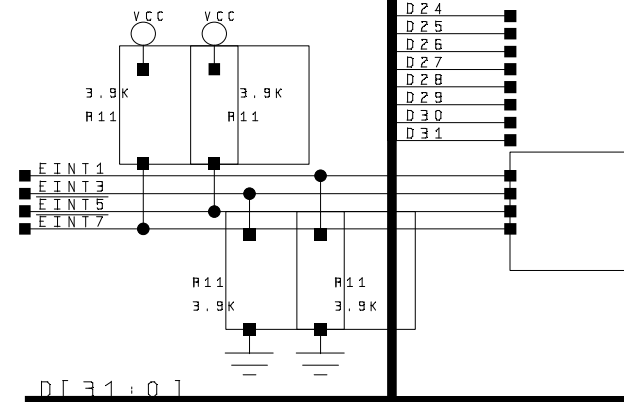
FALCON030/MICROBOX

C#####_### 1
XXXXXX

VID32MHZ
 RESET
 BMODE
 FCO
 FC1
 FC2
 CBREQ
 DSACK0
 DSACK1
 RW
 SIZ0
 SIZ1
 AS
 DS030
 STERM
 BERR
 AVEC
 IPLO
 IPL1
 IPL2
 BR
 BGO30
 BGACK
 CPUBGO
 SDMABGO
 BGBLTOUT
 MFPIRQ
 POR

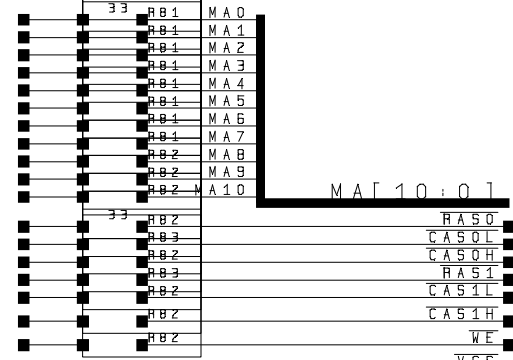


A[24:0]



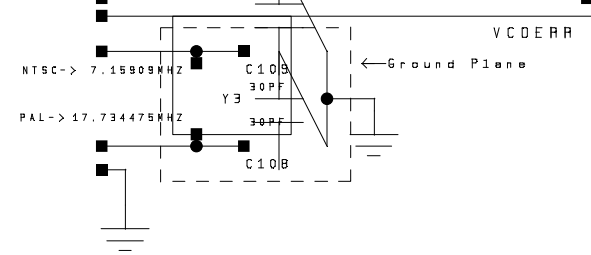
D[31:0]

CPUCLK
 ECLK
 CLK4MHZ
 KHZ500
 LDS
 UDS
 DTACK
 MFPIACK
 DSPCS
 DSPACK
 FPUCS
 MFPCS
 IEOMFP
 SNDCS
 SNDAR
 HTCCS
 HTCD5
 HTCAS
 N6B50
 IDECS0
 IDECS1
 IDEI0H
 IDEI0W
 SCCI0H
 SCCI0W
 SCCAB
 SCCWAIT
 SCCIACK
 TOSRDW
 JOYRD
 JOYWE
 JOYWL
 CPU32W

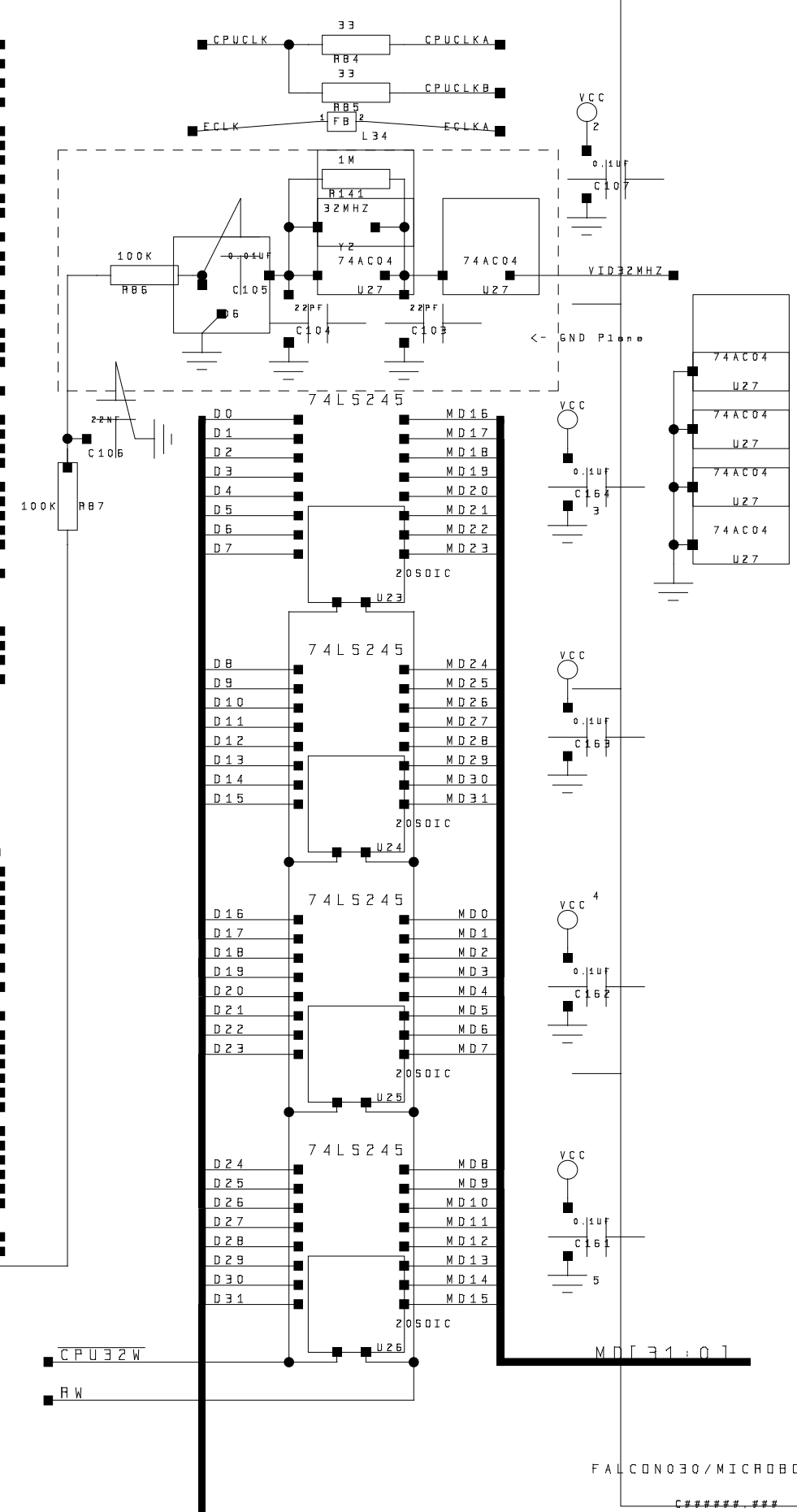


MA[10:0]

RAS0
 CAS0L
 CAS0H
 RAS1
 CAS1L
 CAS1H
 WE
 VCS
 HDAT
 WDAT
 VLD
 VREQ
 HINT
 VSYNC
 EVENODD
 BUTTON
 PADH5
 PADOX
 PADOY
 PAD1X
 PAD1Y
 HSYNC
 CCLK



VCDERR

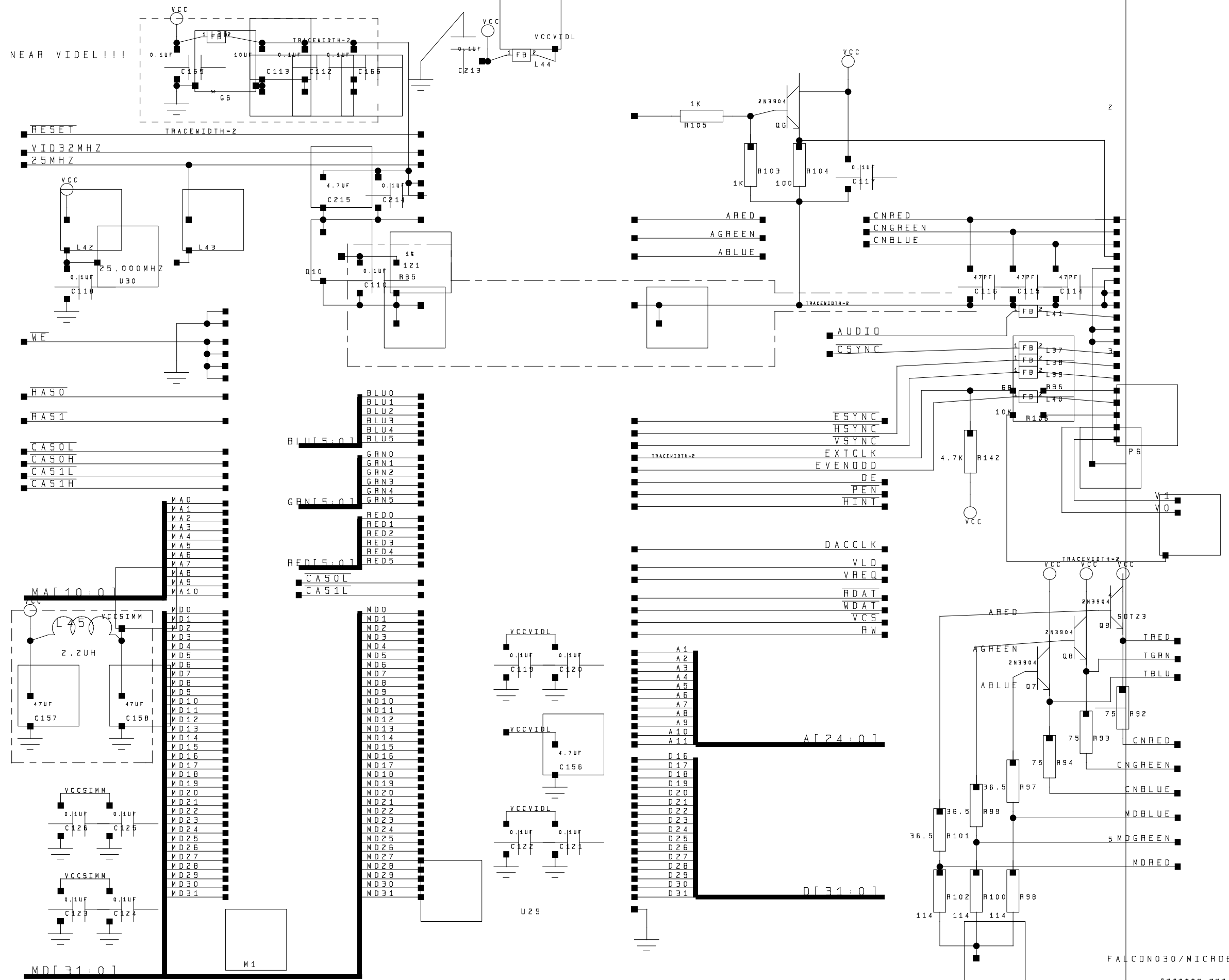


FALCON030/MICROBOX

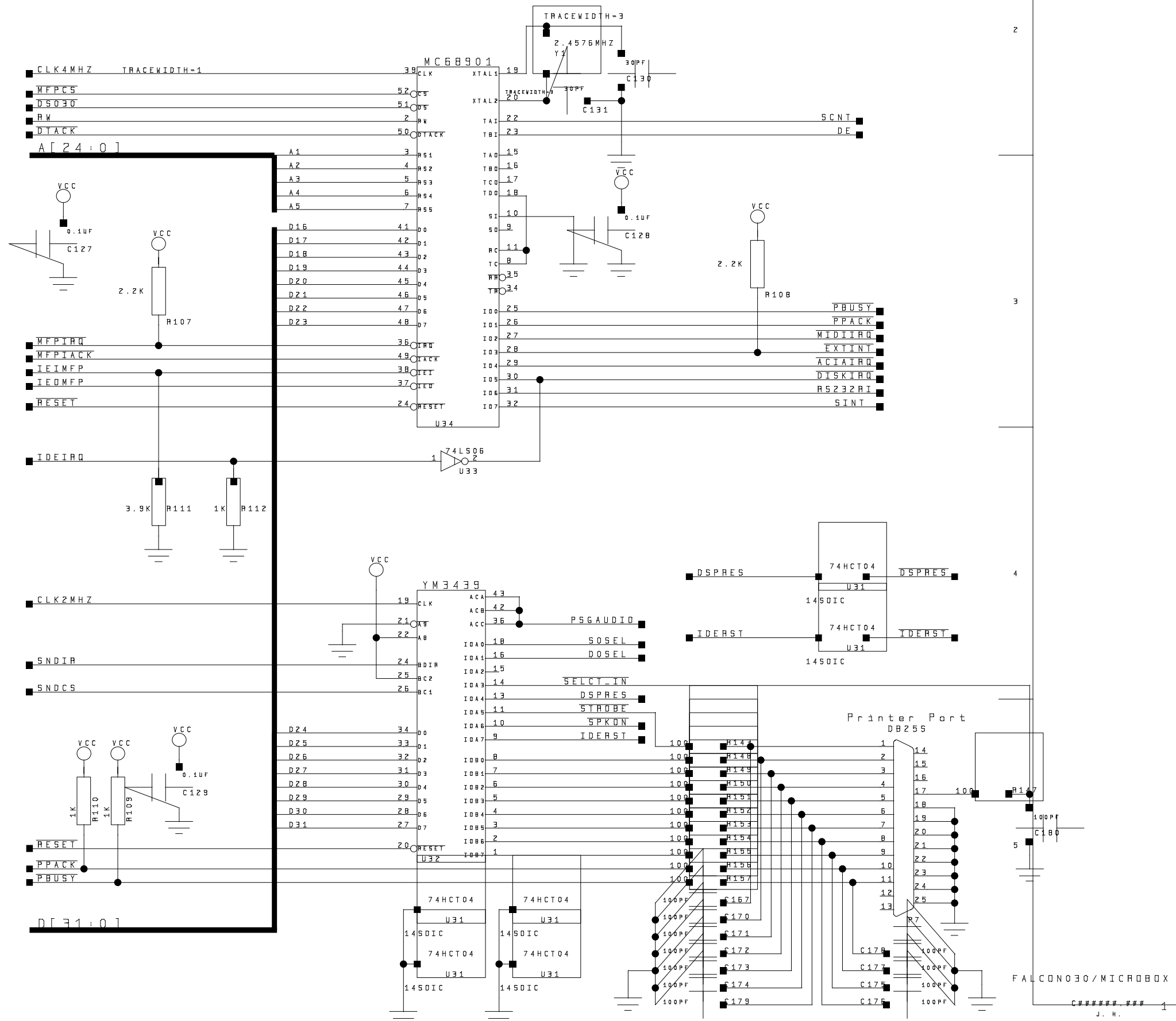
C#####
 J. H.

* - REQUIRES VALUE CHANGE FOR PAL

PLACE NEAR VIDEL!!!!



FALCON030/MICROBOX
 C#####
 J. H.



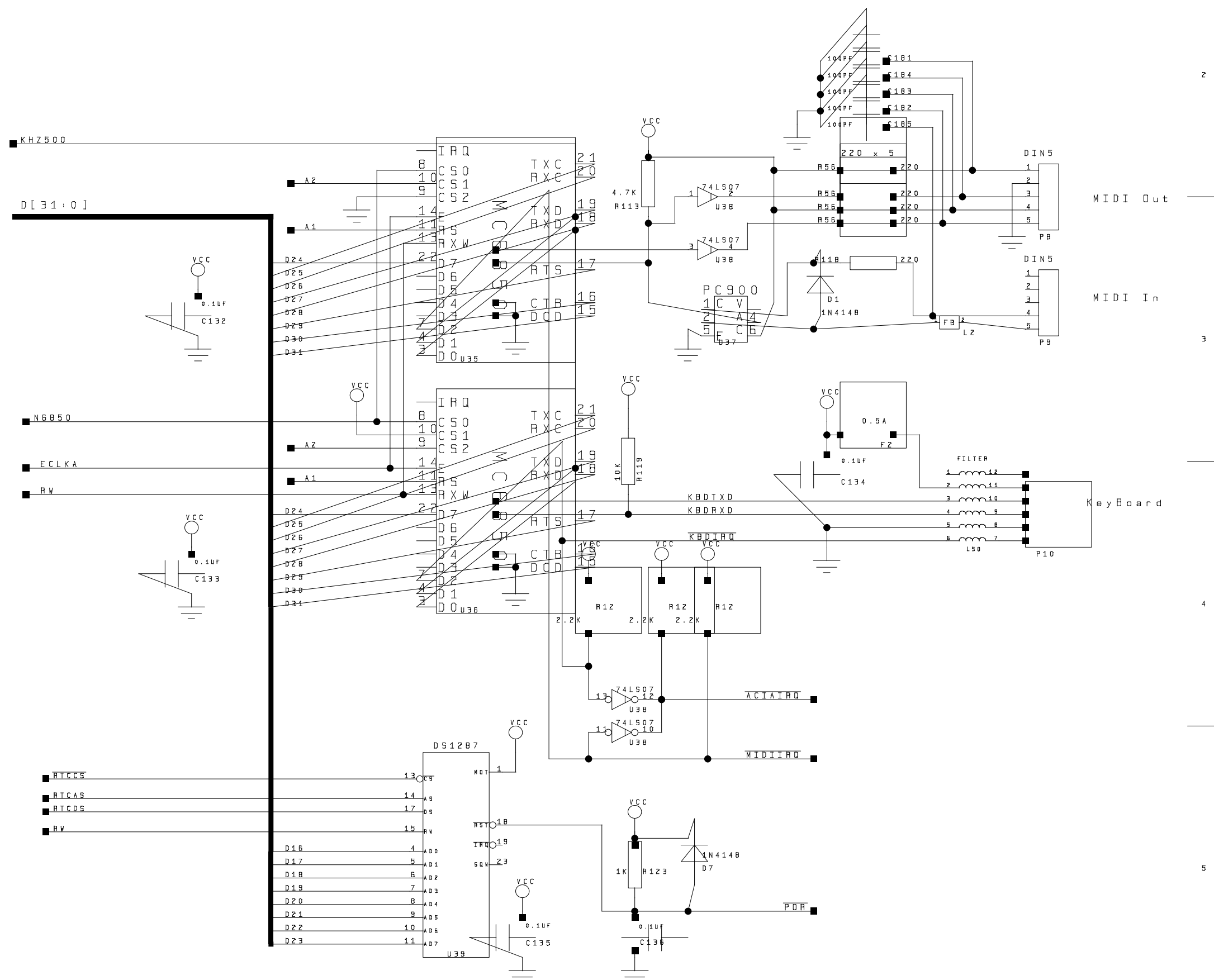
2

3

4

FALCON030/MICROBOX

C#####
J. H.



2

MIDI Out

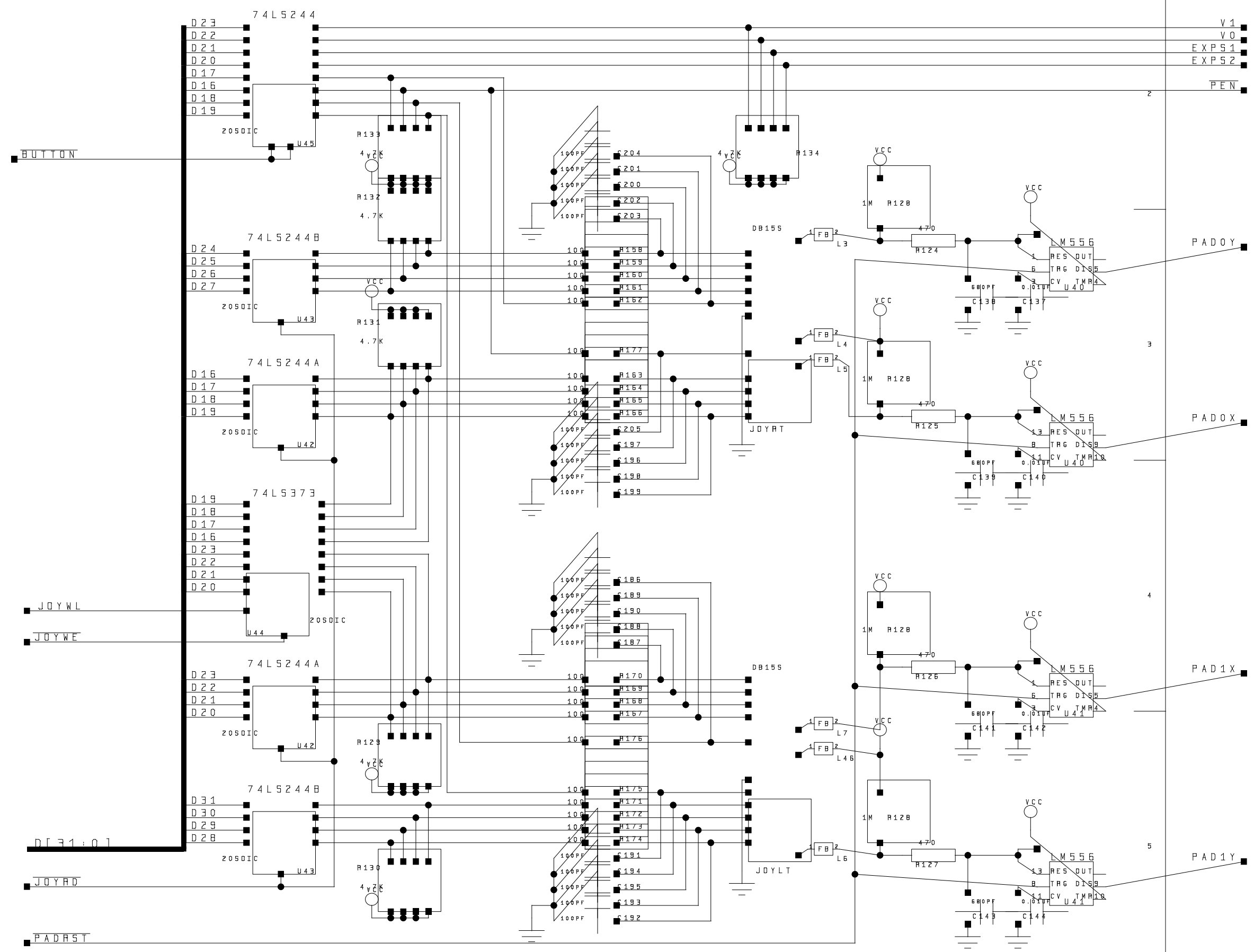
MIDI In

3

Key Board

4

5

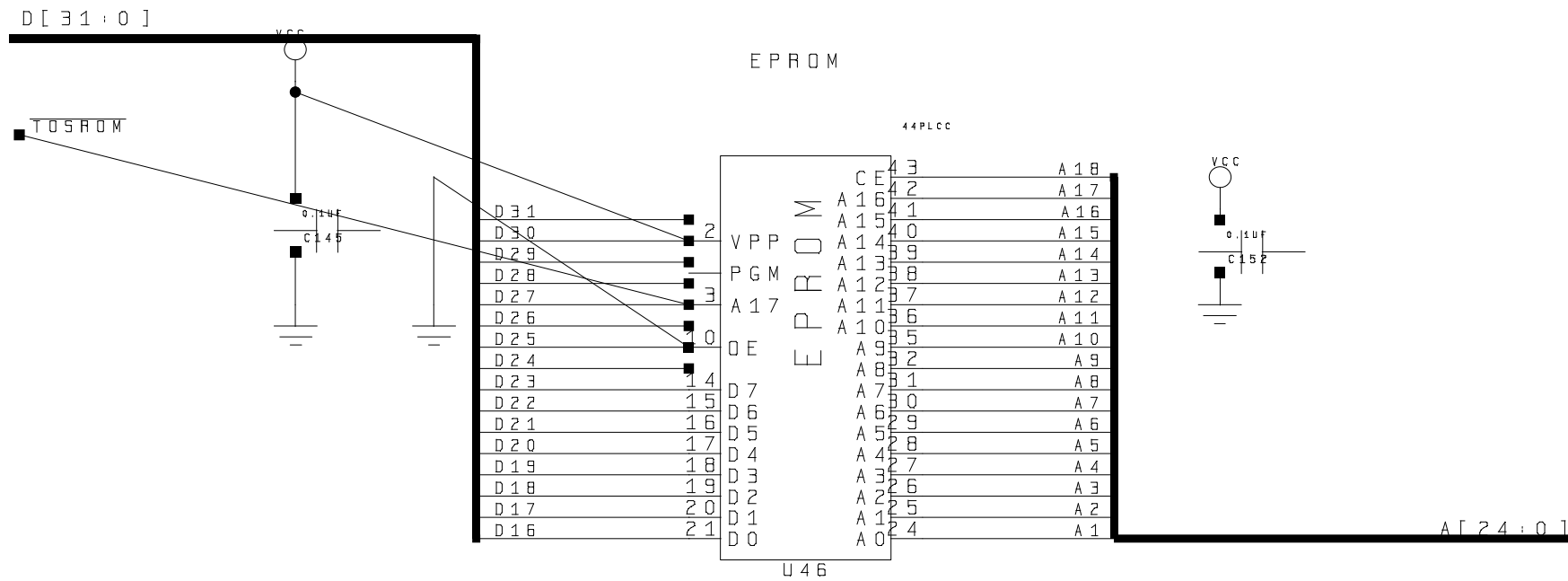
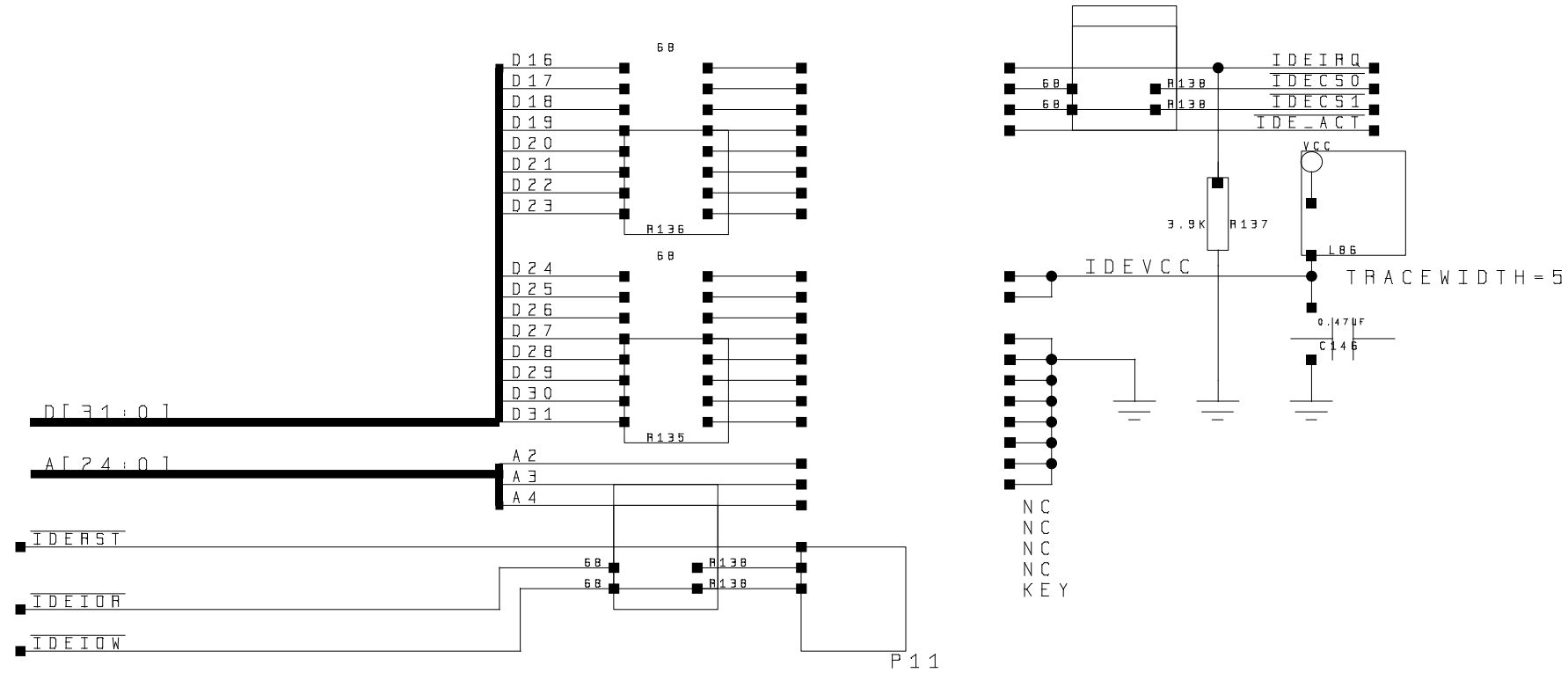


FALCON030/MICROBOX

C##### 1
J. H.

Note: RT is when viewed from the users standpoint

44 PIN IDE INTERFACE
CONNECTOR

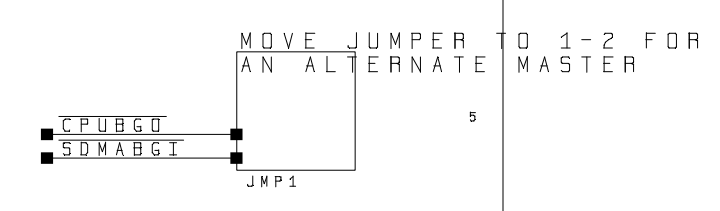
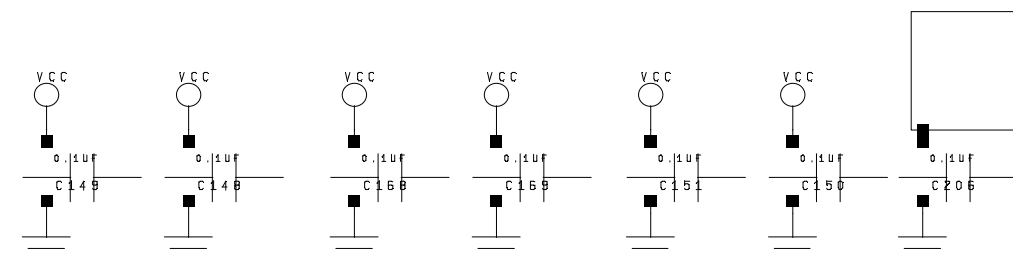
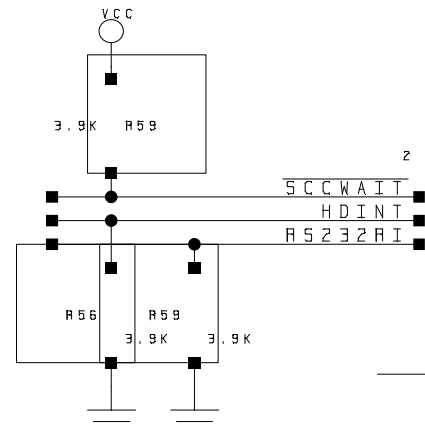
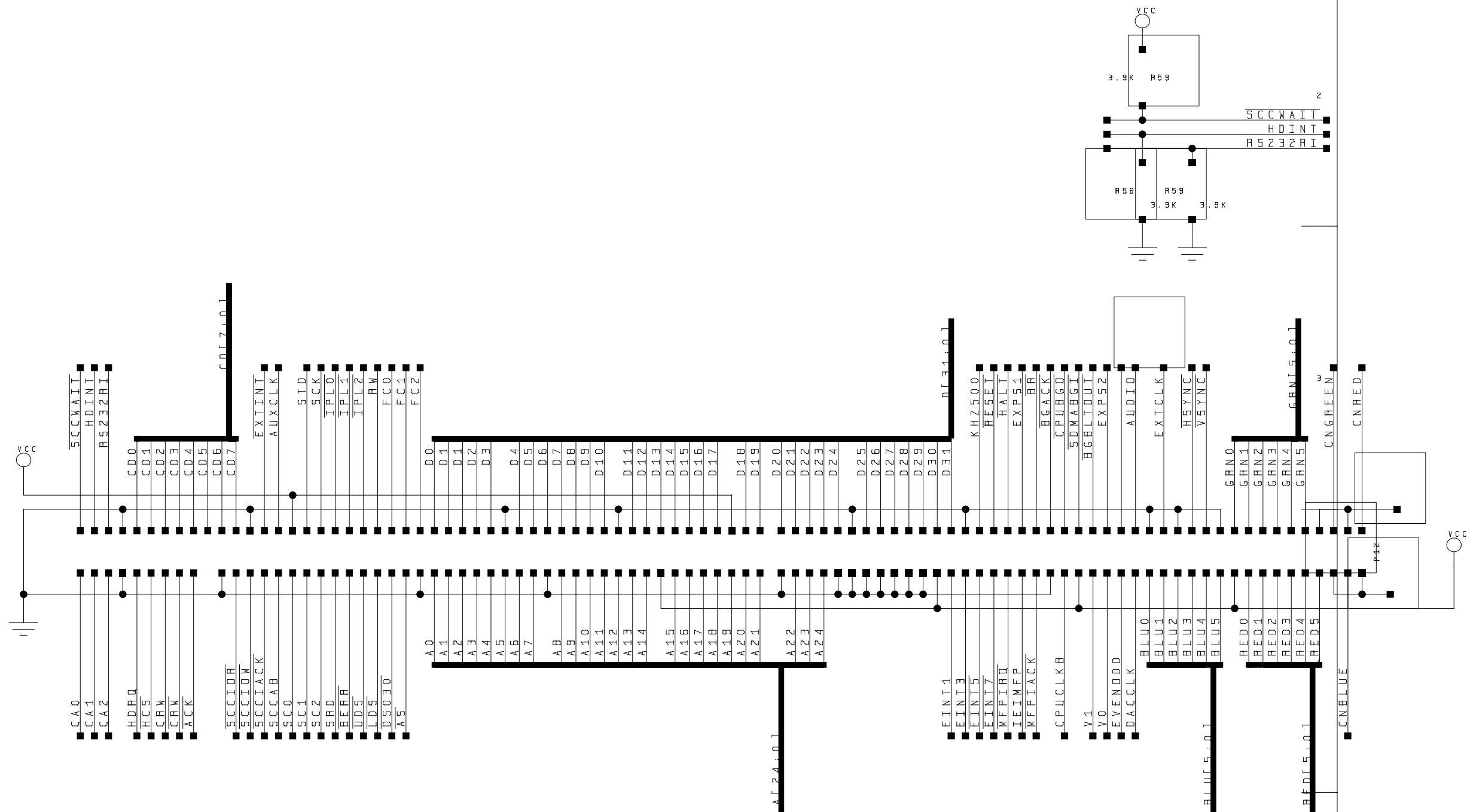


2

3

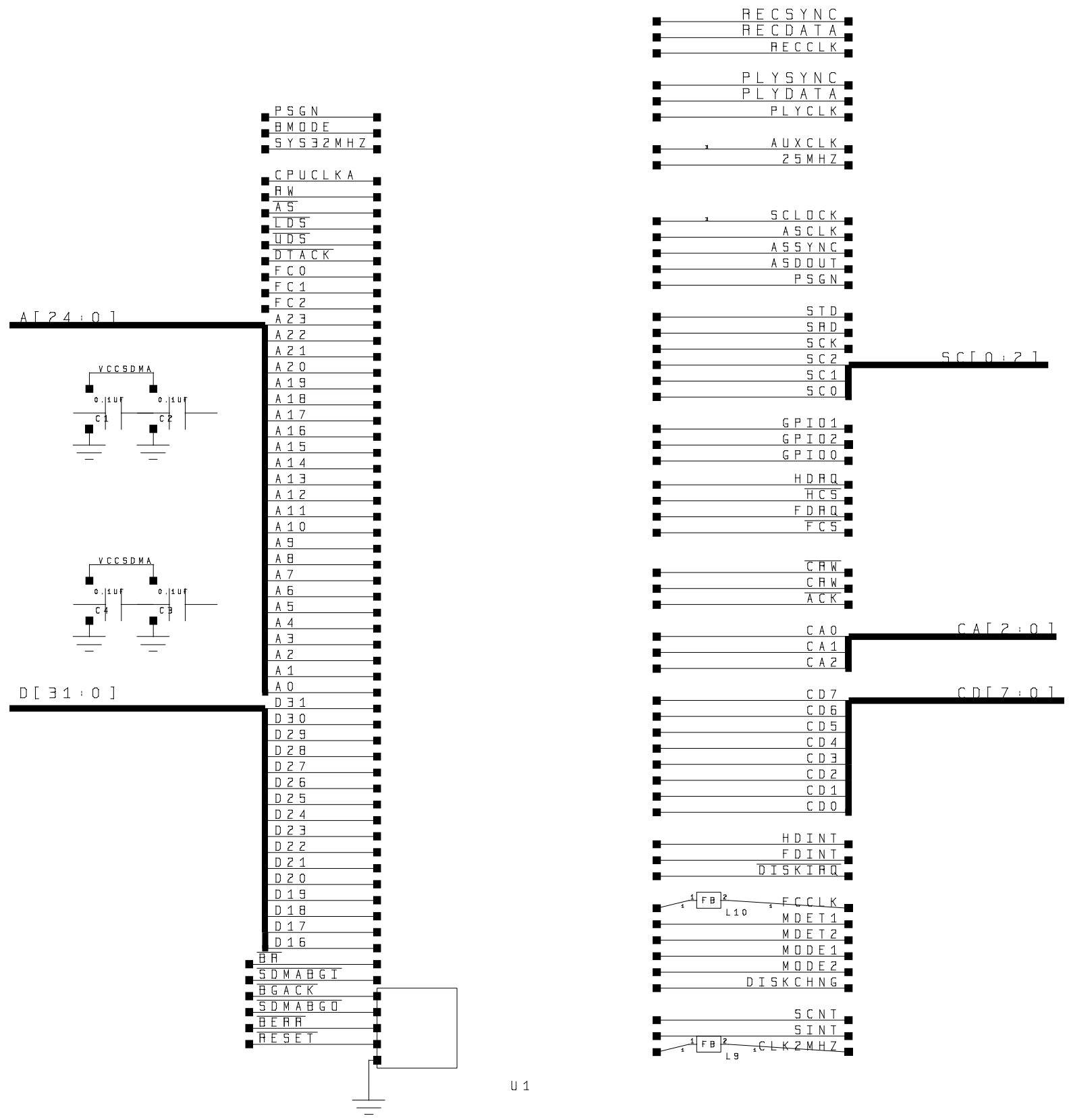
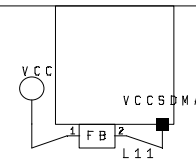
4

5



FALCON030/MICROBOX

C#####
J. H.

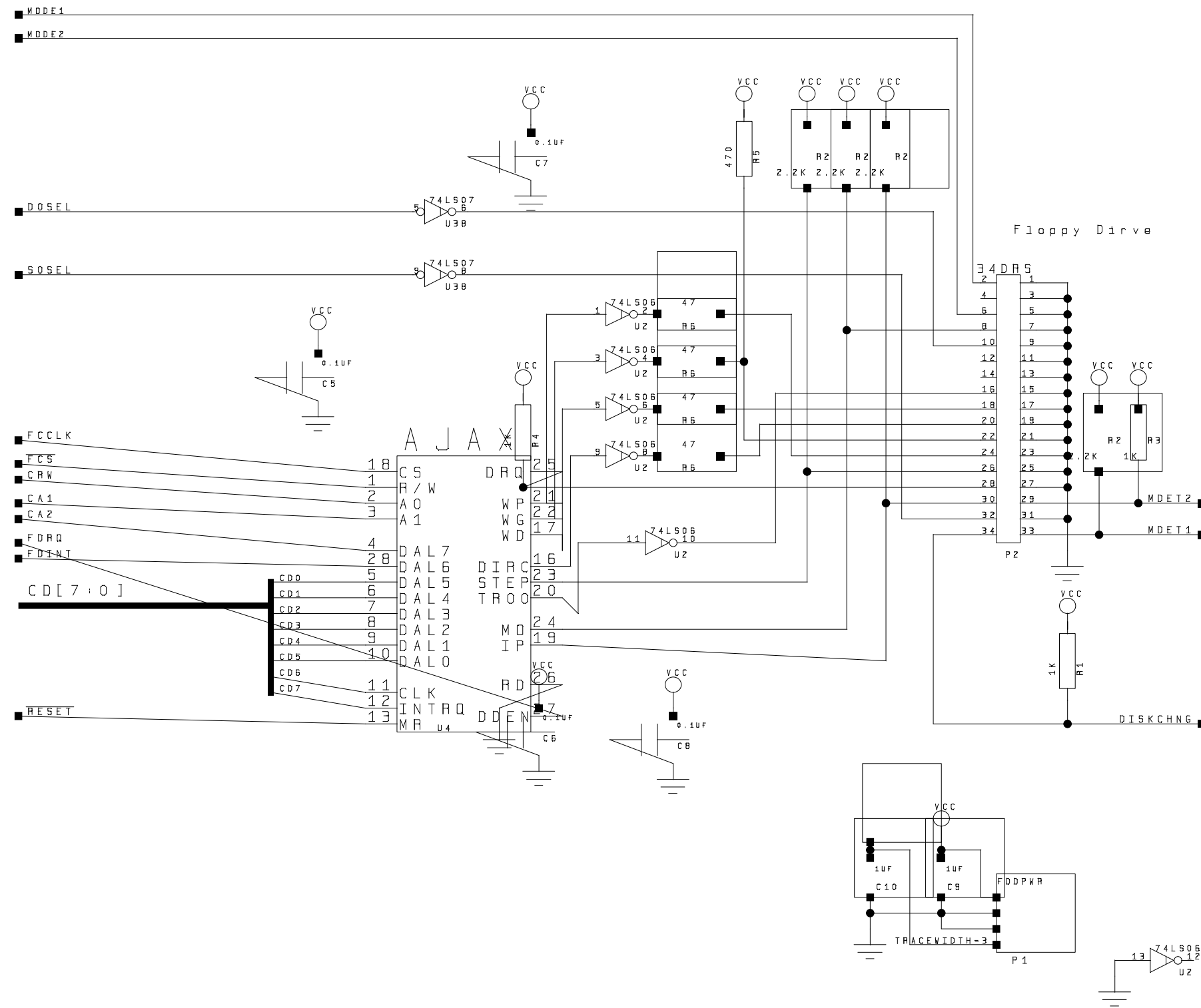


2
3
4
5

FALCON030/MICROBOX

C#####_### 1
J. H.

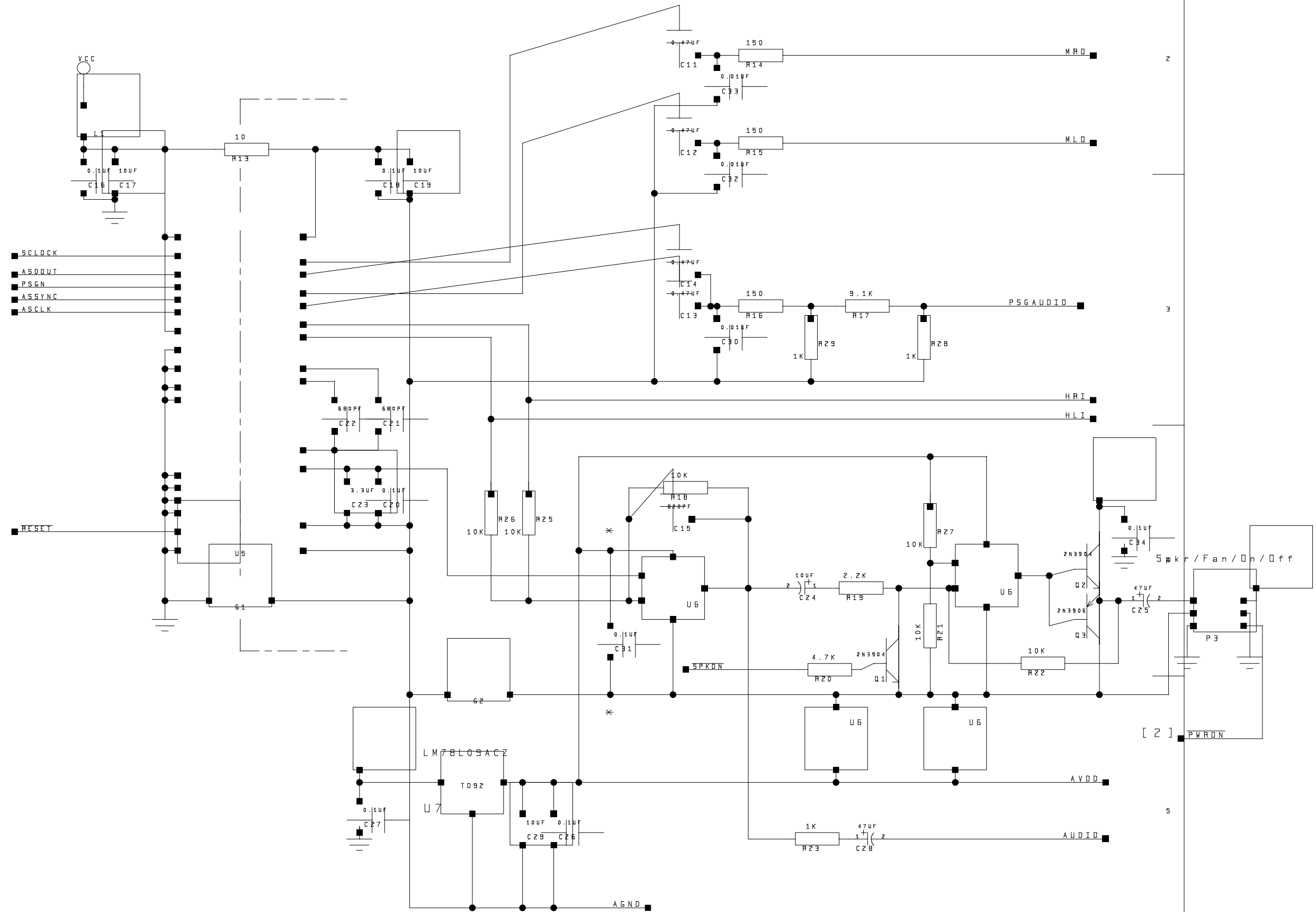
1-8-1993-10-09 10 DF 16



2
3
4
5

FALCON030/MICROBOX

C##### 1
J. H.

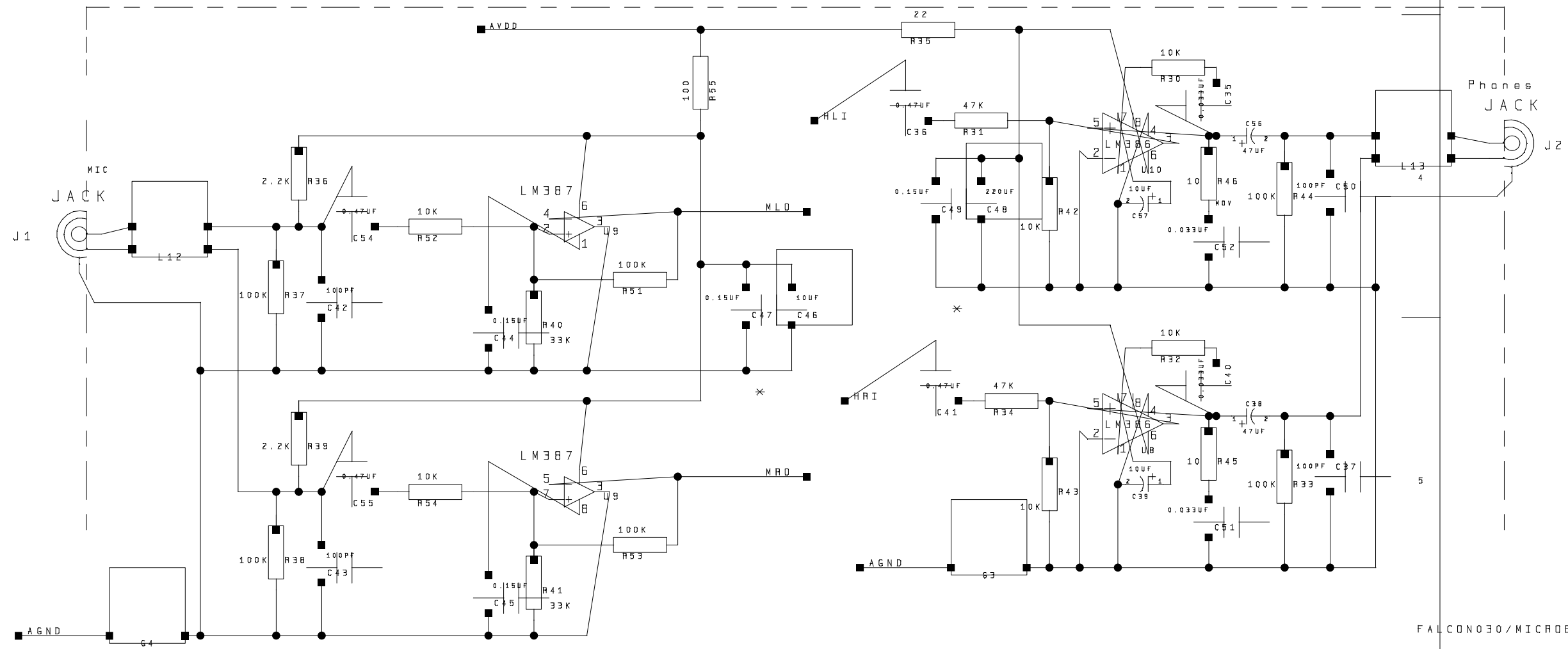
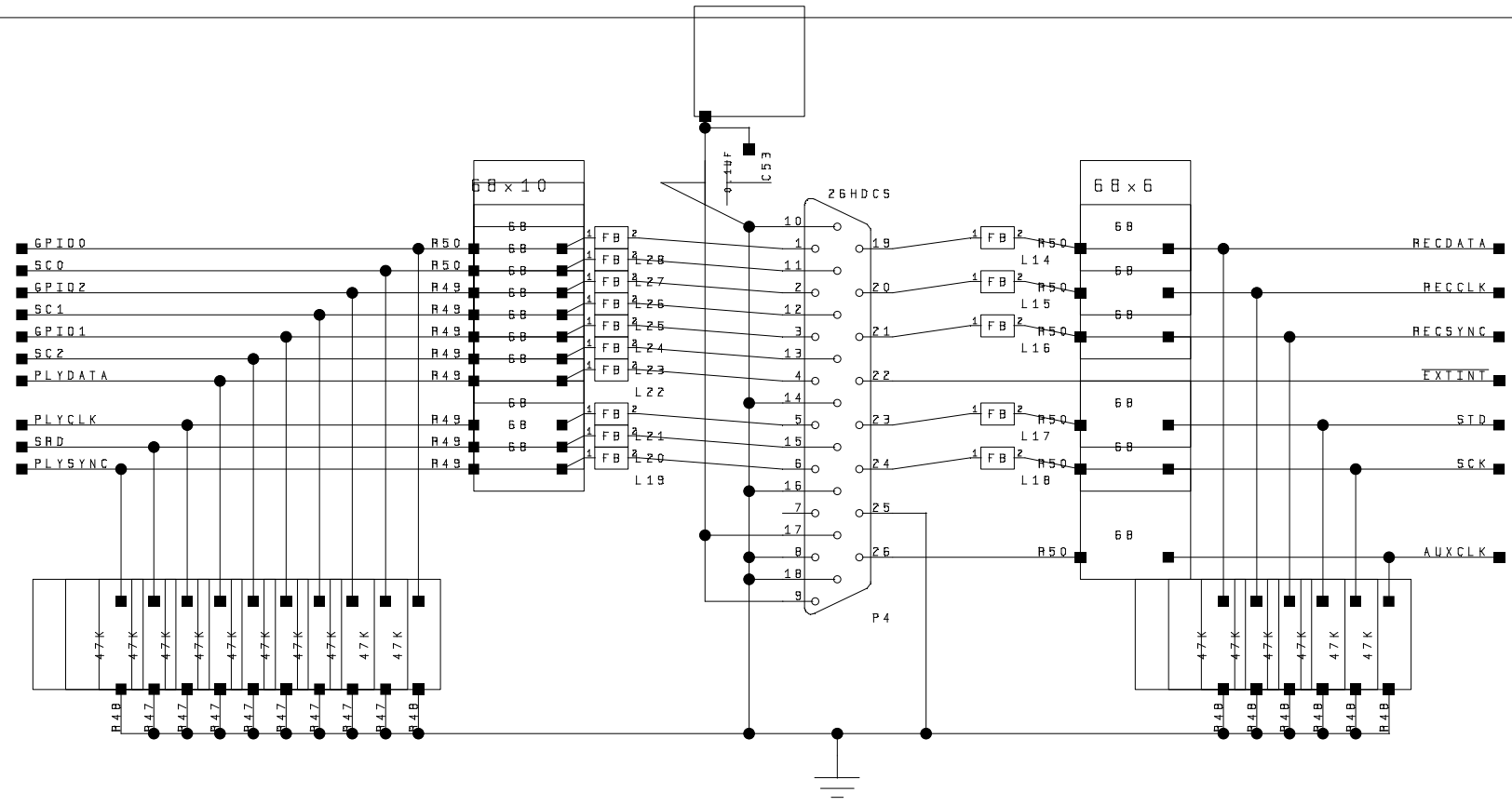


* Tie to plane at this point

FALCON030/MICROBOX

C##### 1

J.H.



2

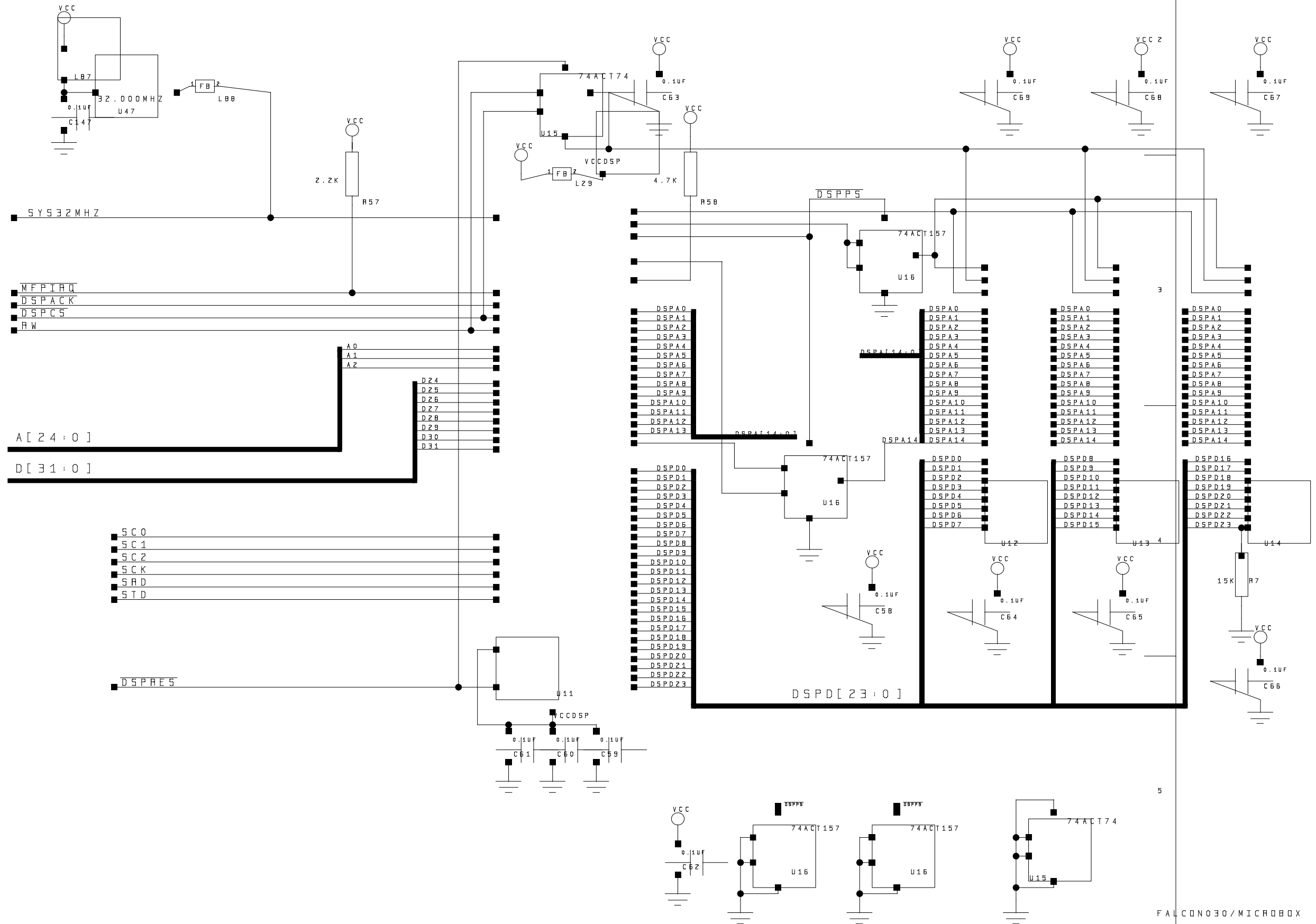
3

4

5

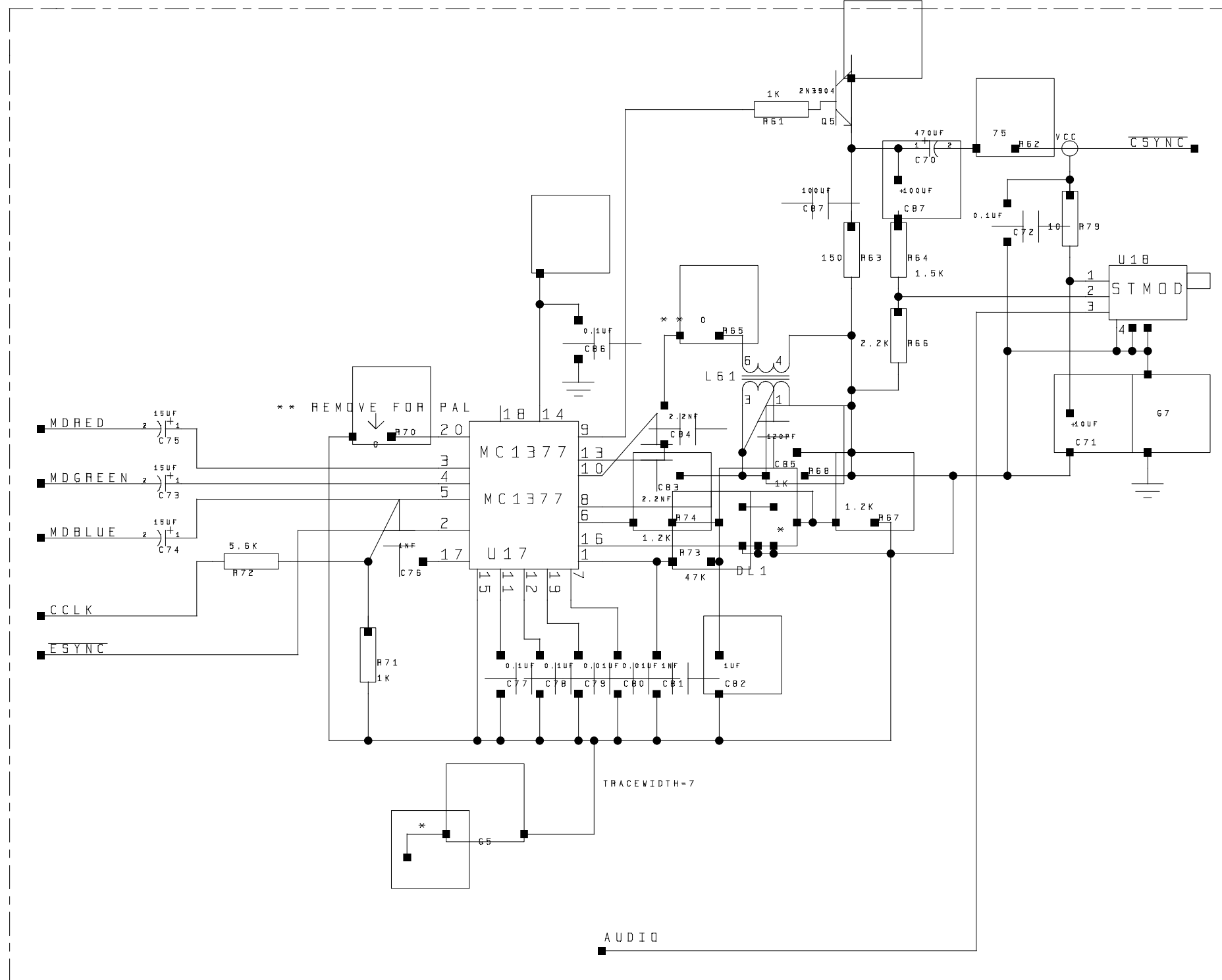
FALCON030/MICROBOX

C#####
J.H.

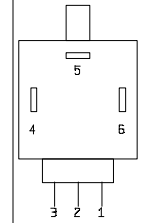


FALCON030/MICROBOX

C##### 1
J. H.



2
3
4
5



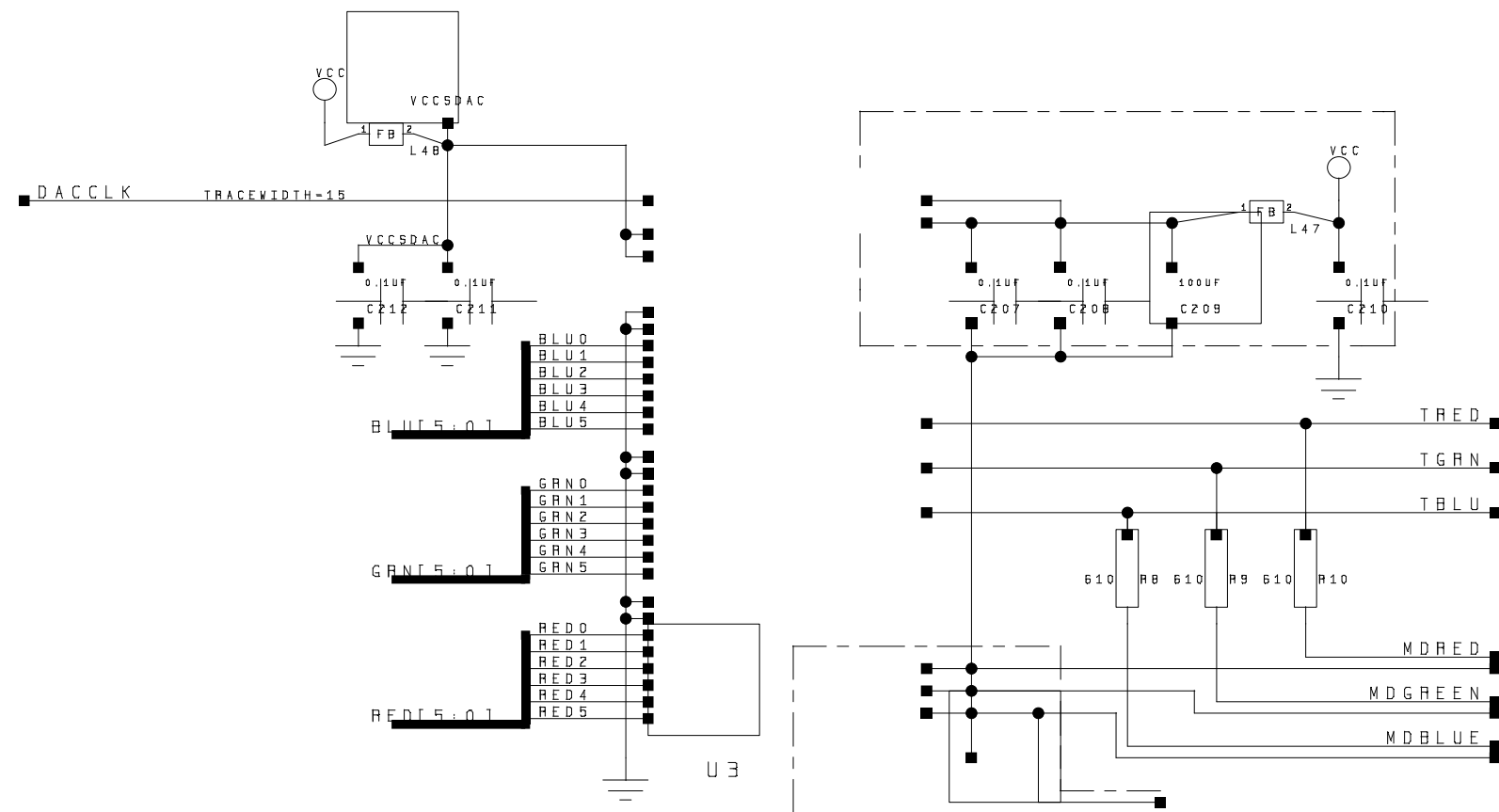
** - Value Change For Pal
* - Single Point Ground

FALCON030/MICROBOX

C#####
J. H.

1-21-1993-14-08 15 OF 16

A



2

3

4

5