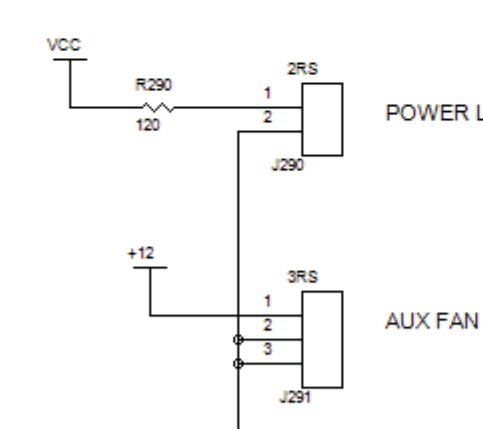
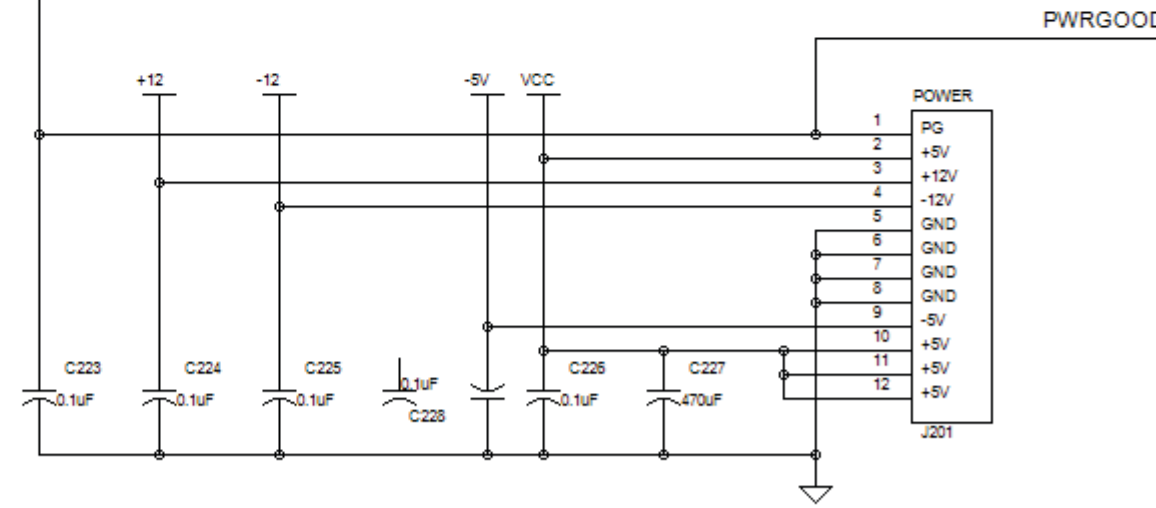
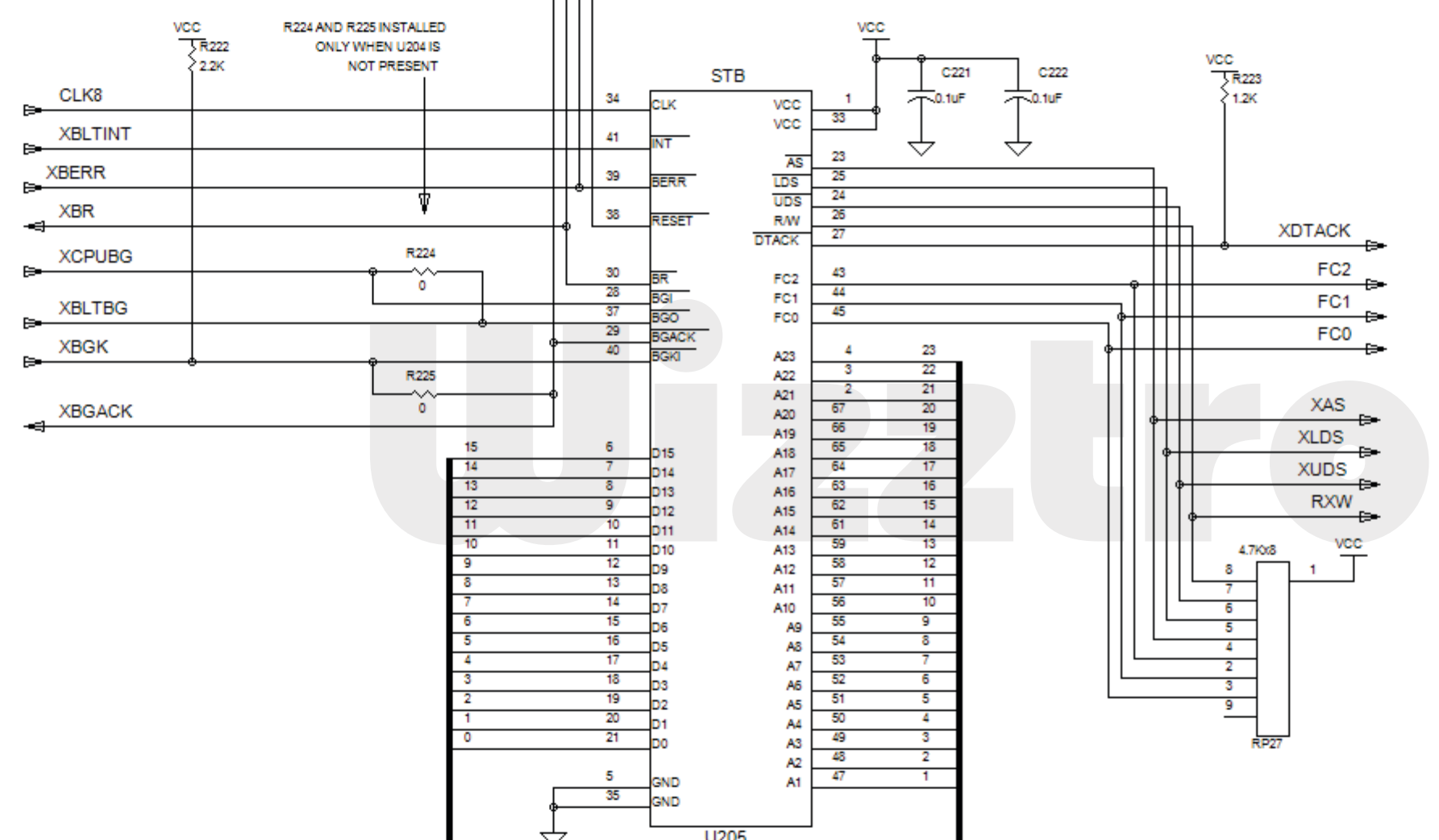
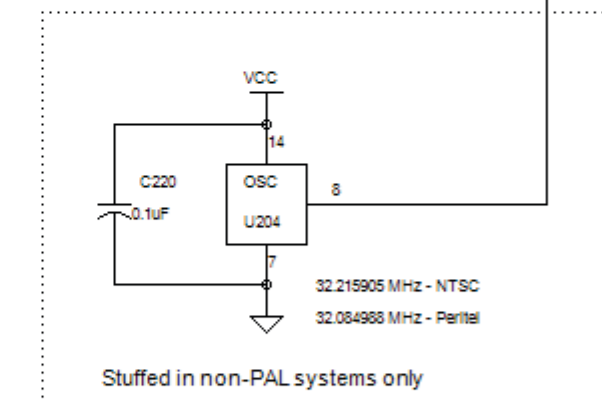
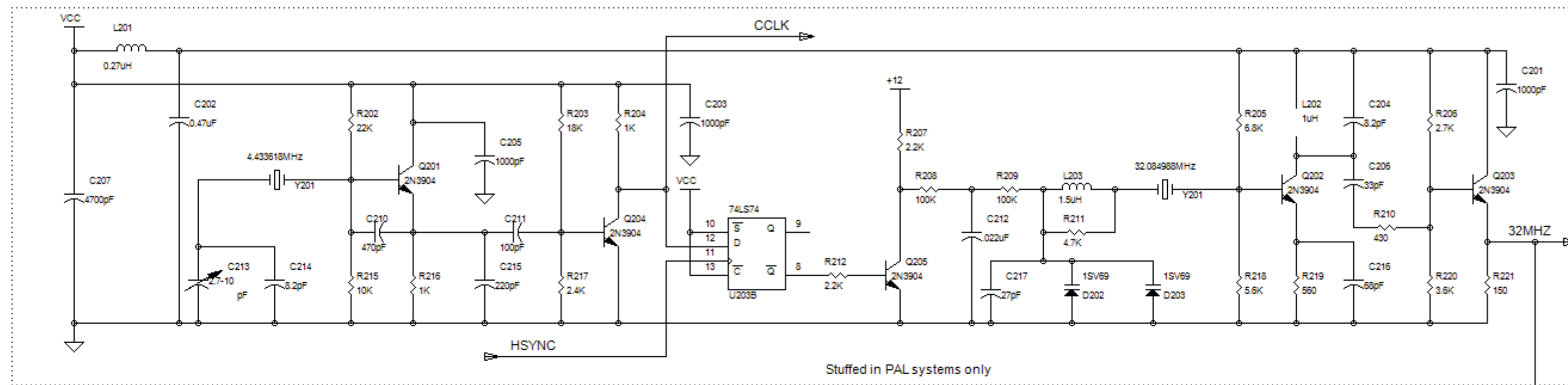
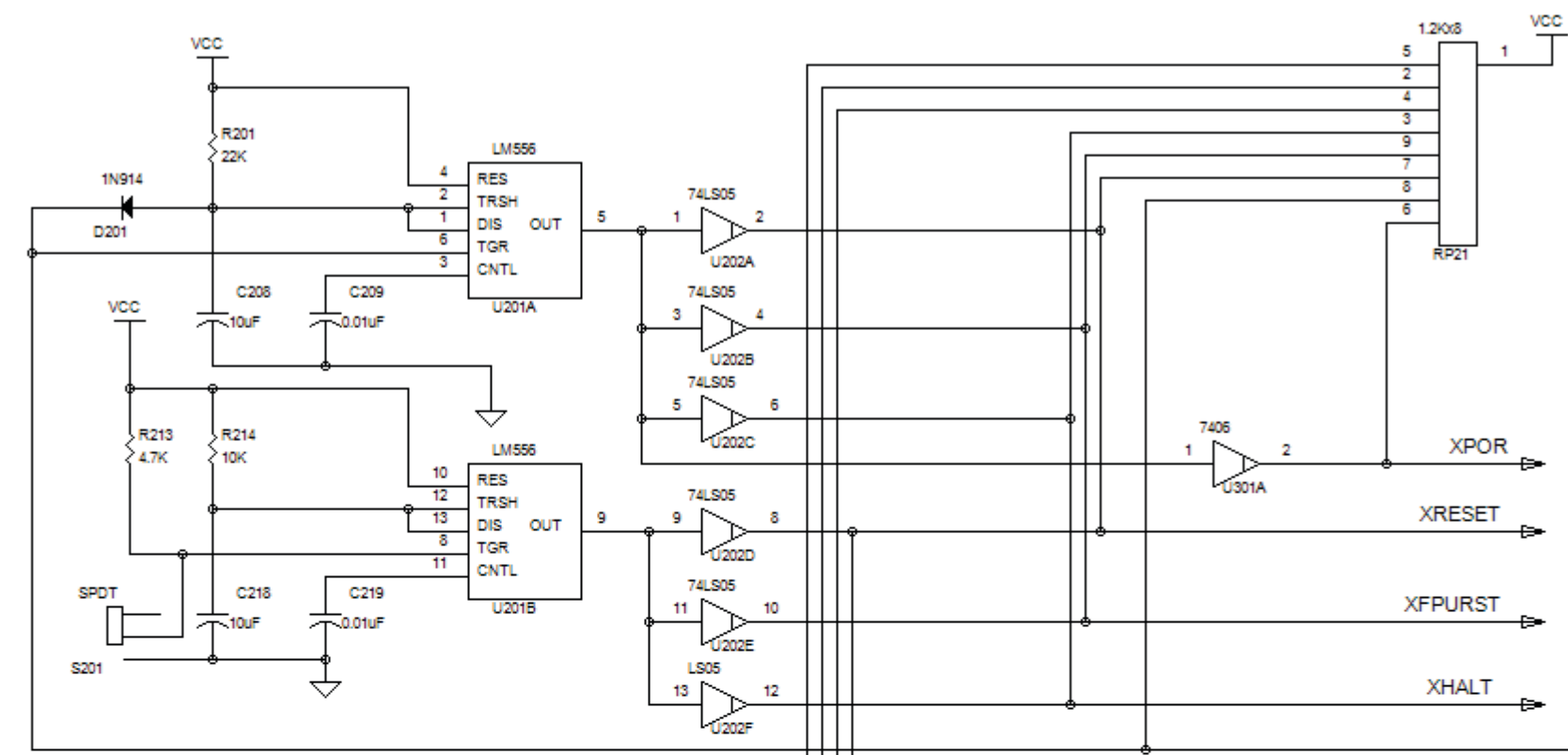


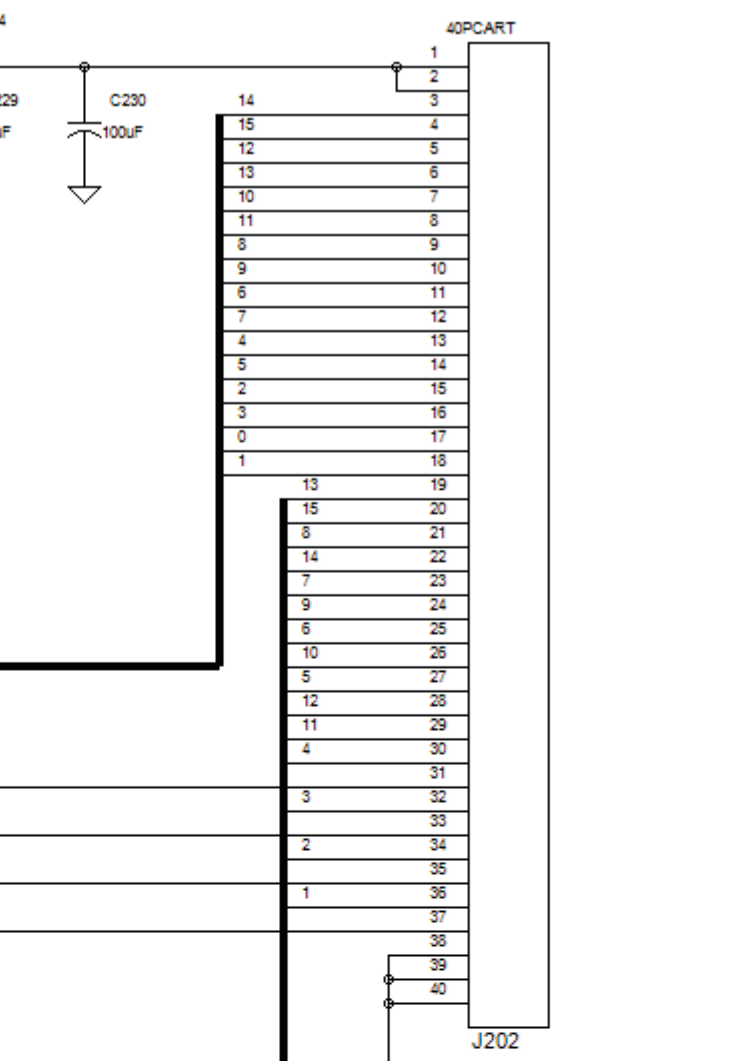
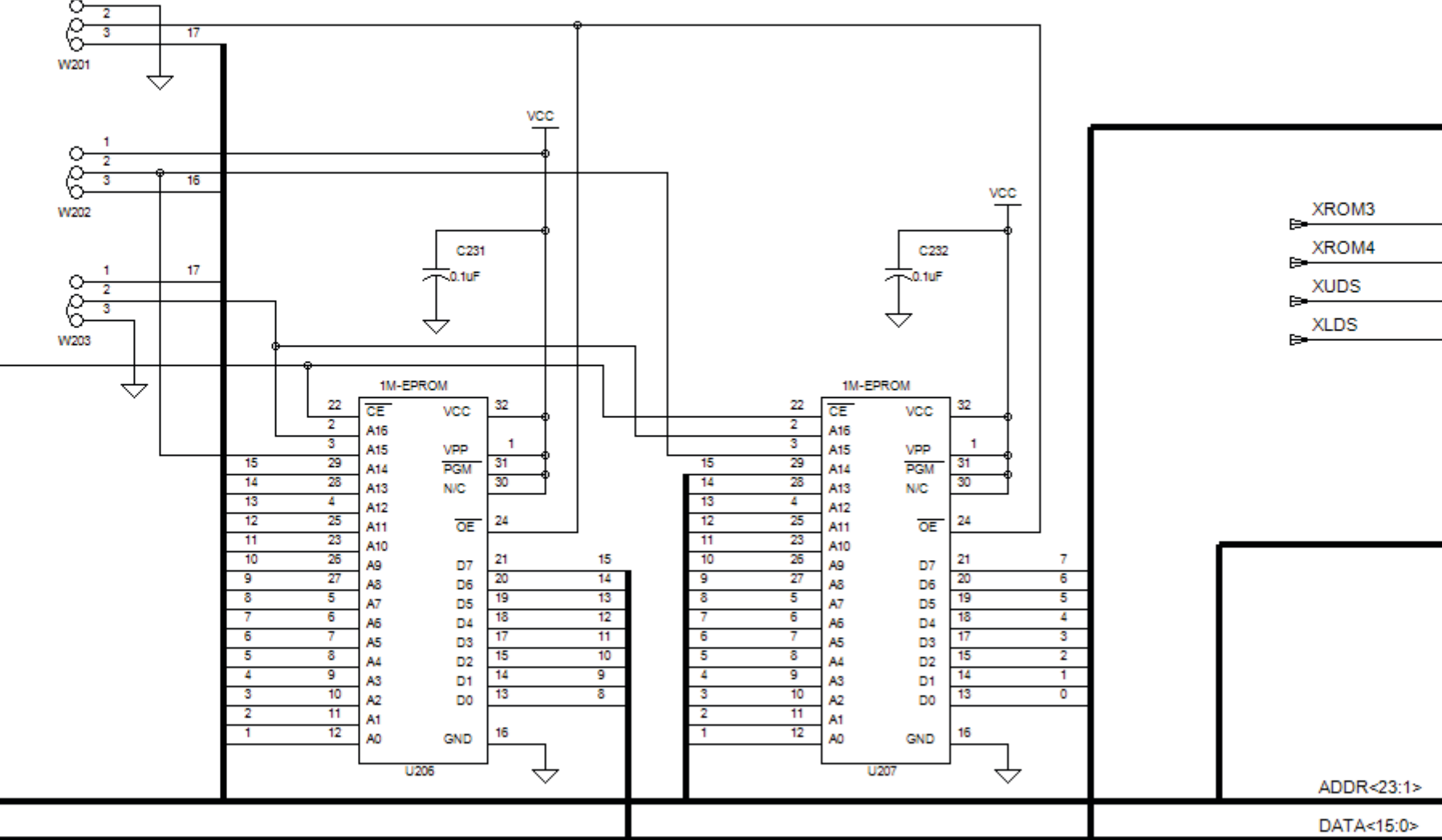
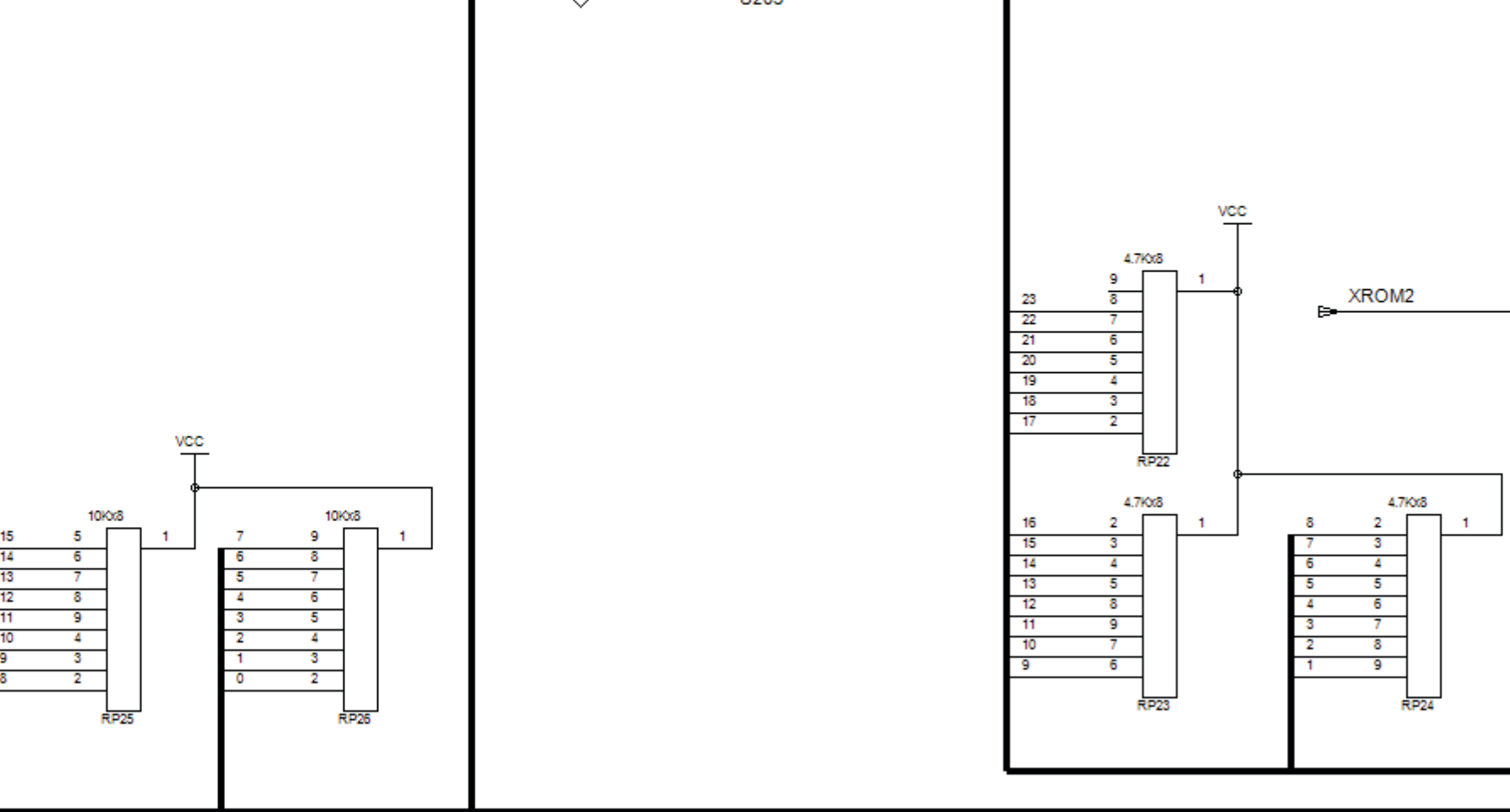
ATARI CORPORATION				
1198 BORREGAS, SUNNYVALE, CA 94086				
MEGA STE				
SIZE	CODE	NUMBER	DESIGNED BY	REV
D			GREG MOGLER	2
DATE	APRIL 23, 1991	SHEET	1 OF 11	



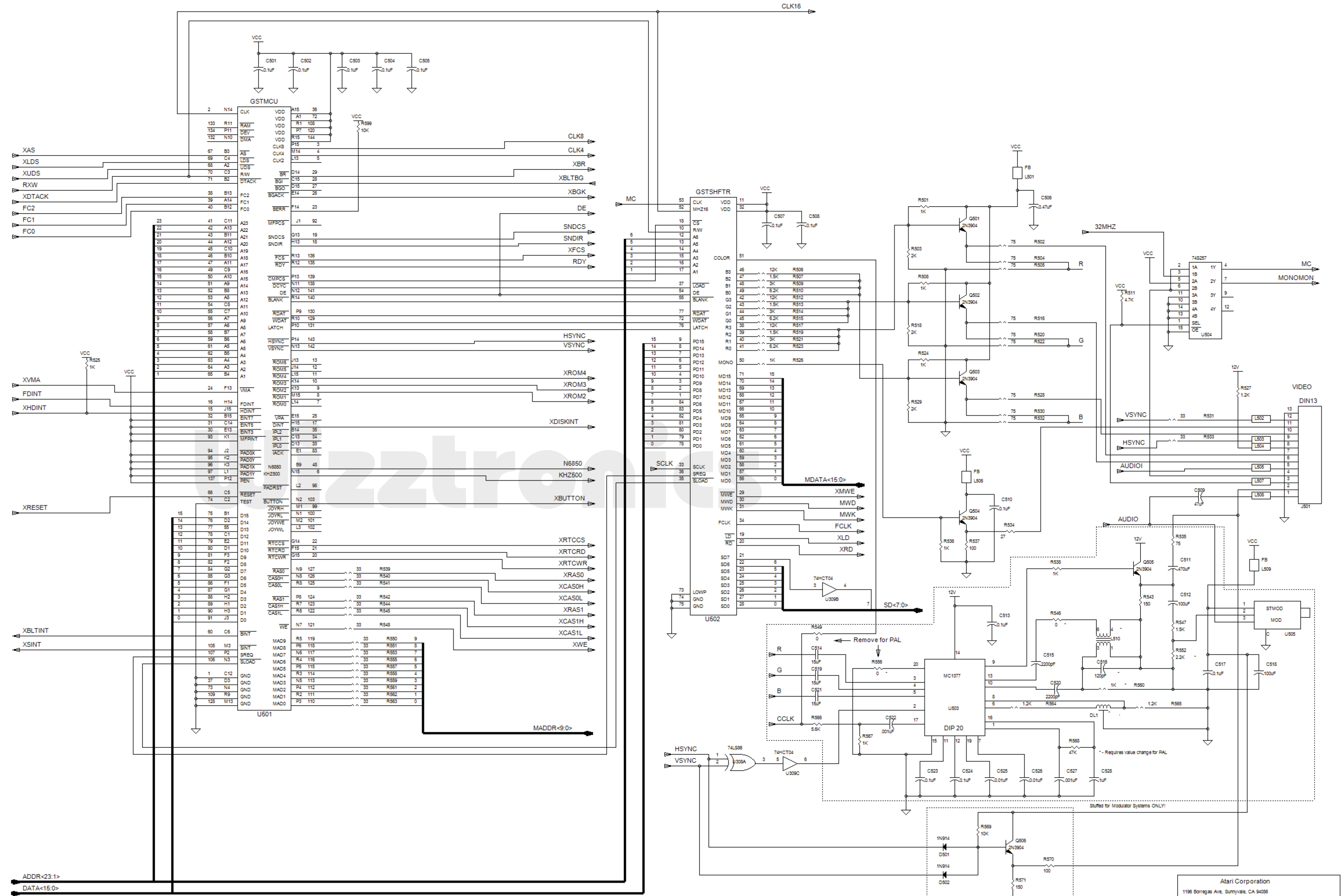
ROM jumper settings

Part Type	VJ201	VJ202	VJ203
27058	0pin Core	1 and 2	N/C
27012	2 and 3	2 and 3	N/C
27100/27C1000/27C1001	2 and 3	2 and 3	2 and 3
27100/27C1000/27C1001	1 and 2	2 and 3	1 and 2

Note: Jumpers are preset for 1M Rom (see default settings below)

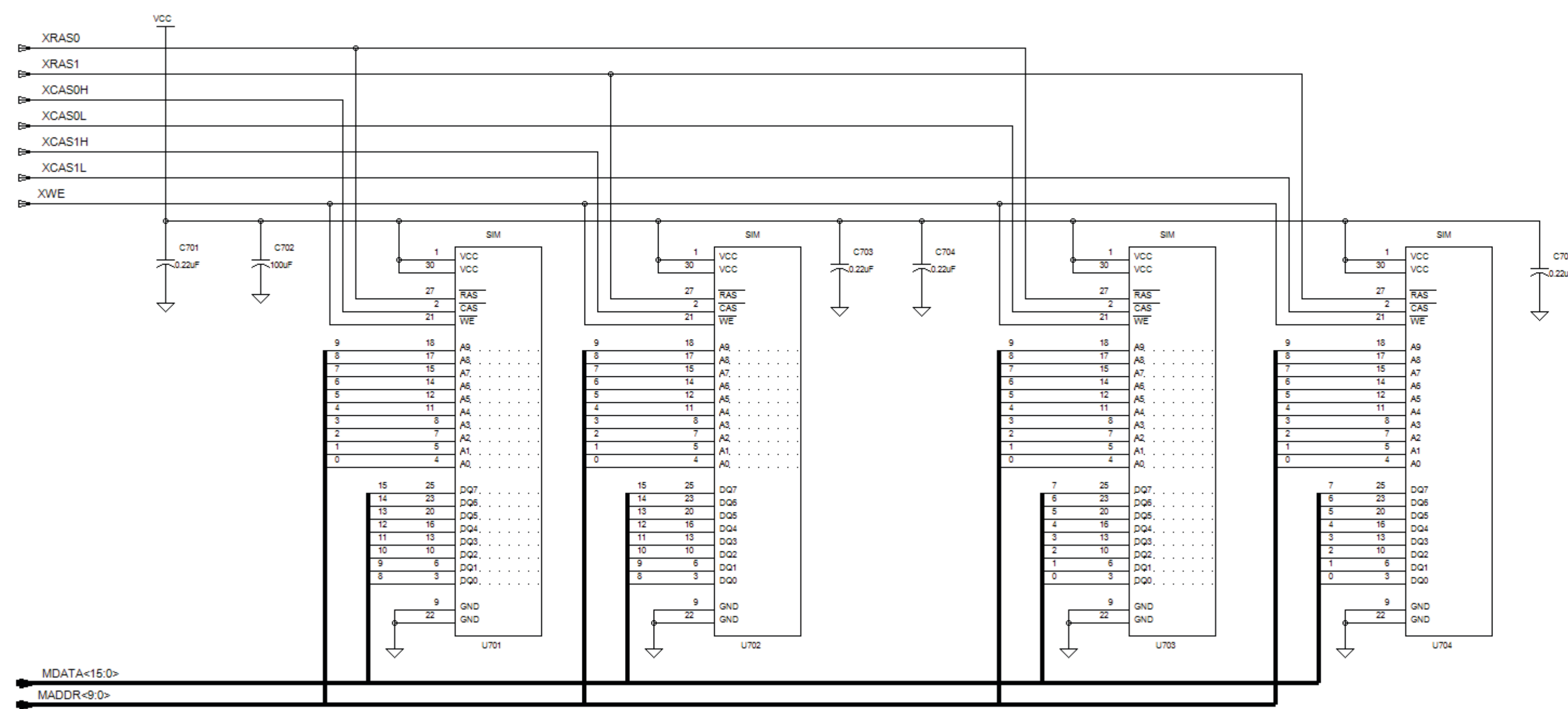


Atari Corporation 1156 Borregas Ave. Sunnyvale, CA 94086			
MEGA STE			
SIZE	CODE	C#####001	REV
D		ENGINEER JOHN HORTON	2
DATE	APRIL 25, 1990	SHEET	2 OF 11

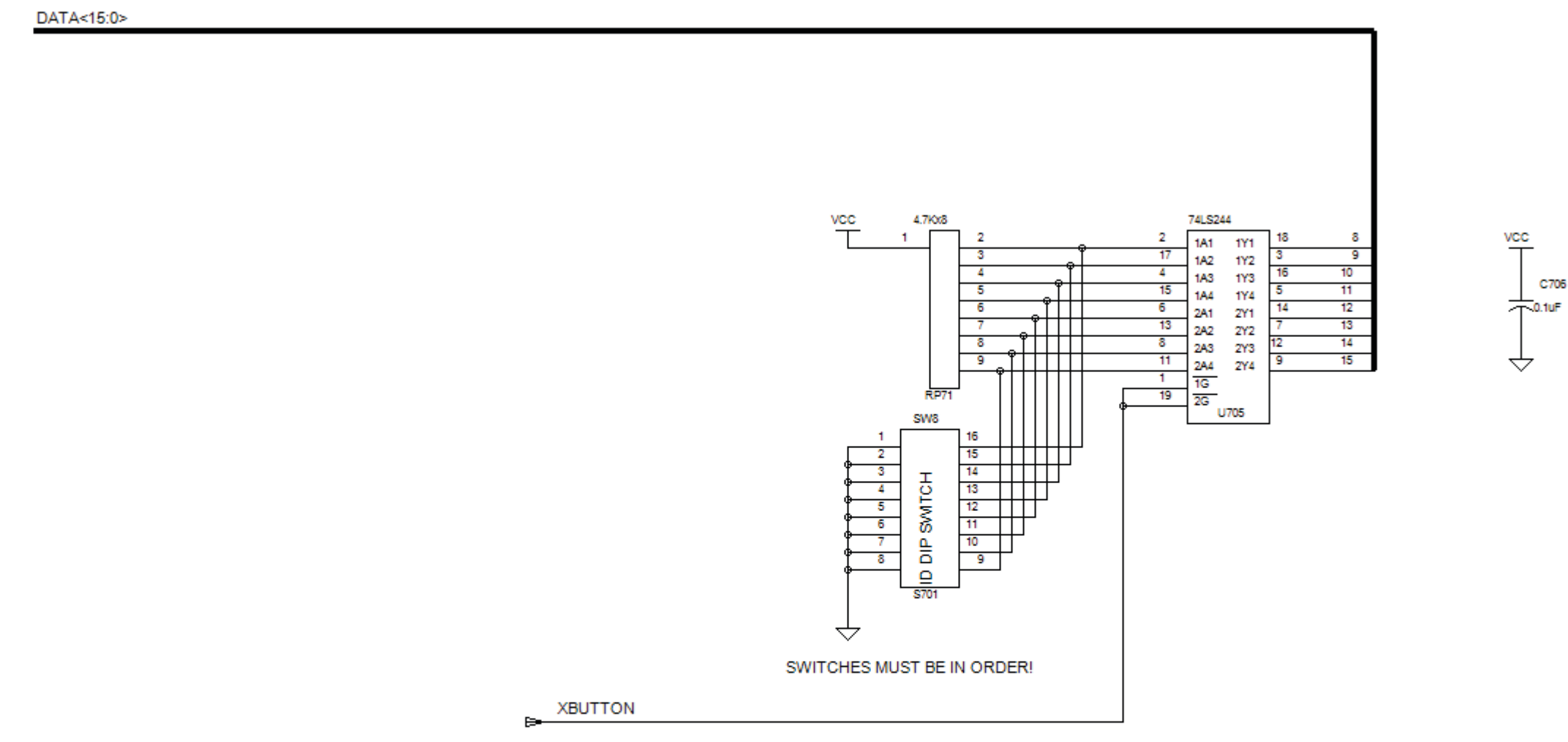


ADDR<23:1>
DATA<15:0>

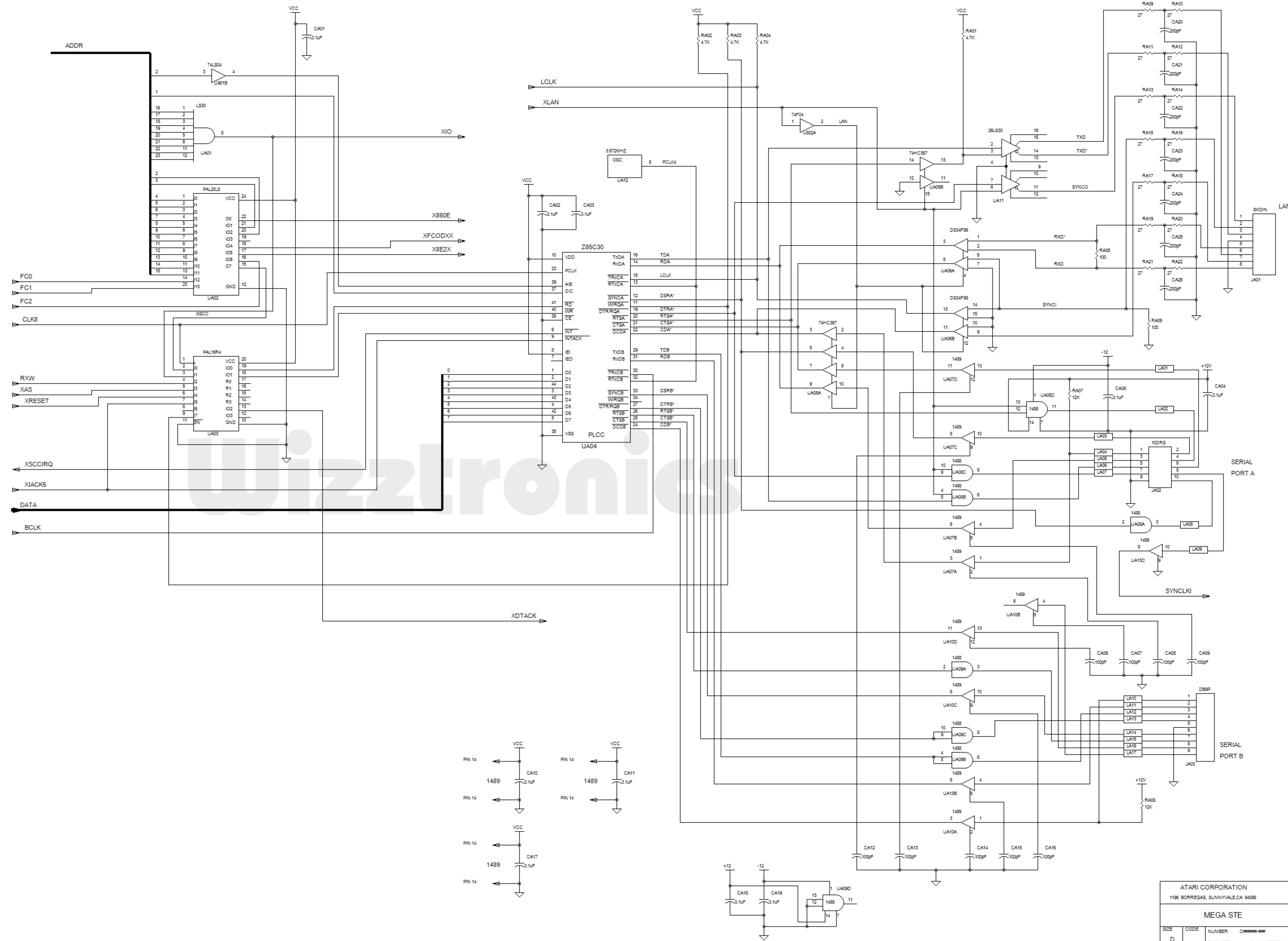
Atari Corporation 1196 Borregas Ave., Sunnyvale, CA 94086			
MEGA STE			
SIZE	CODE	C#####	
D	ENGINEER	JOHN HORTON	
DATE	APRIL 25, 1990	SHEET	5 of 11



Wizztronics

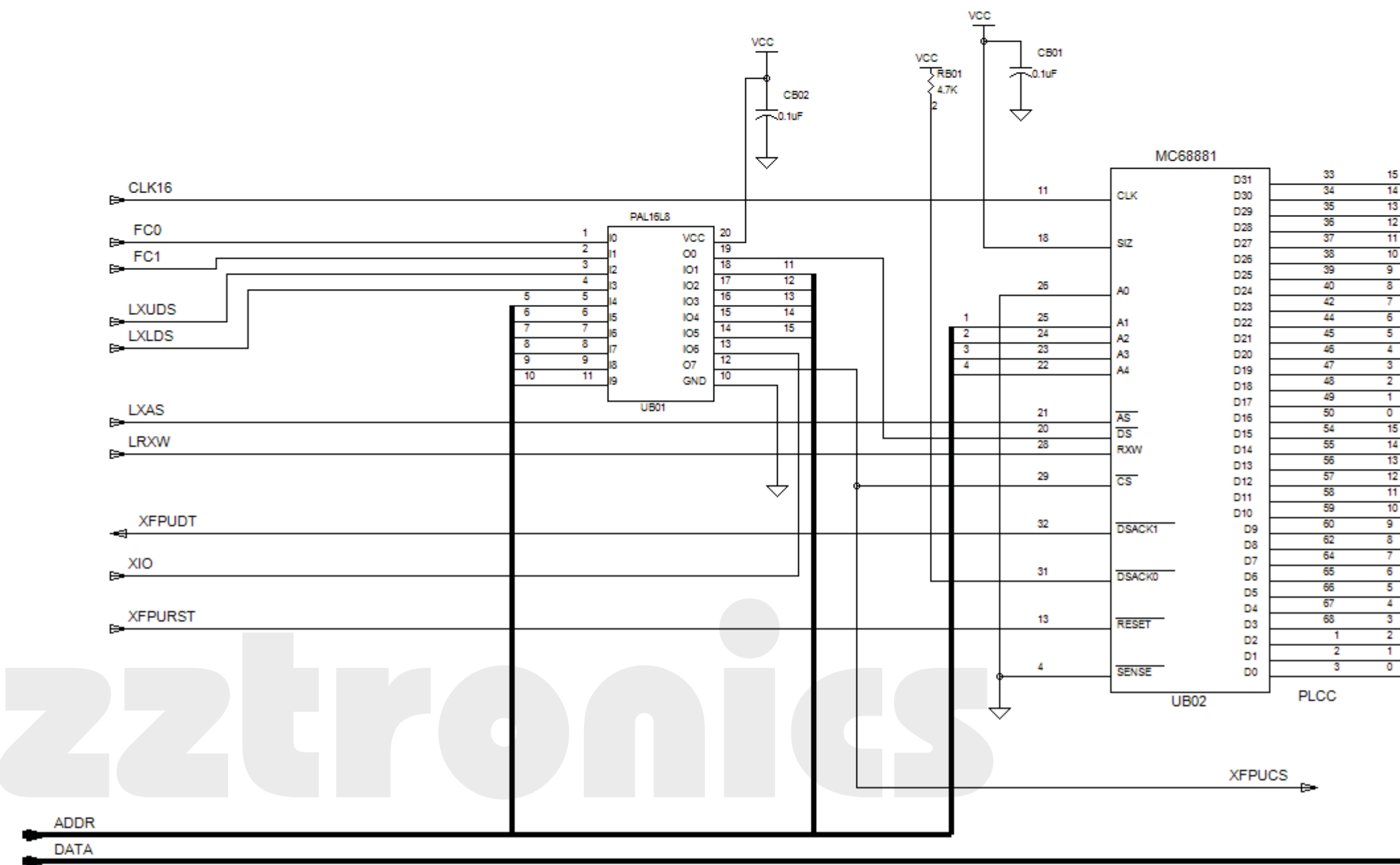


Atari Corporation			
1166 Borregas Ave. Sunnyvale, CA 94086			
MEGA STE			
SIZE	CODE	C#####	REV
D		ENGINEER JOHN HORTON	2
DATE	APRIL 25, 1990	SHEET	7 of 11

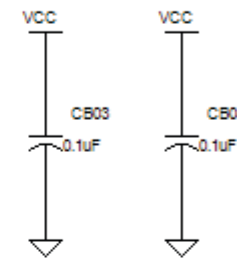


ATARI CORPORATION				
1198 BORREGAS, SUNNYVALE, CA 94086				
MEGA STE				
SIZE	CODE	NUMBER	DATE	REV
D		1198-0001	APRIL 23, 1989	2
ENGINEER: JOHN HORTON			SHEET 15 OF 11	

UB01 NEED NOT BE INSTALLED IF UB02 IS NOT PRESENT



Wizztronics



ATARI CORPORATION				
1198 BORREGAS, SUNNYVALE, CA 94086				
MEGA STE				
SIZE	CODE	NUMBER	DATE	REV
D		000000-000	APRIL 23, 1991	2
ENGINEER: JOHN HORTON			PAGE 11 OF 11	