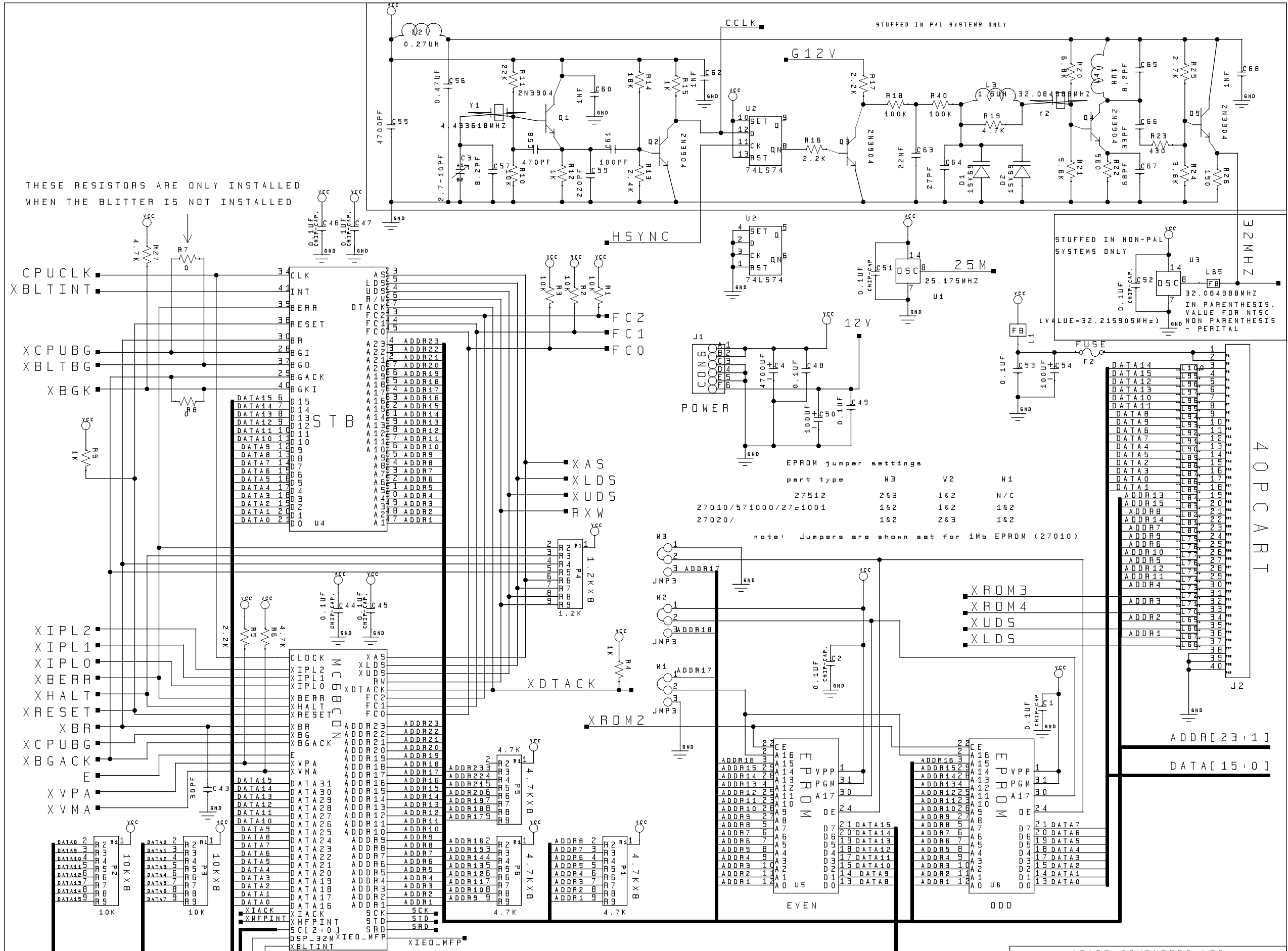


THESE RESISTORS ARE ONLY INSTALLED WHEN THE BLITTER IS NOT INSTALLED



EPROM jumper settings

part type	W3	W2	W1
27512	2&3	1&2	N/C
27010/571000/27c1001	1&2	1&2	1&2
27020/	1&2	2&3	1&2

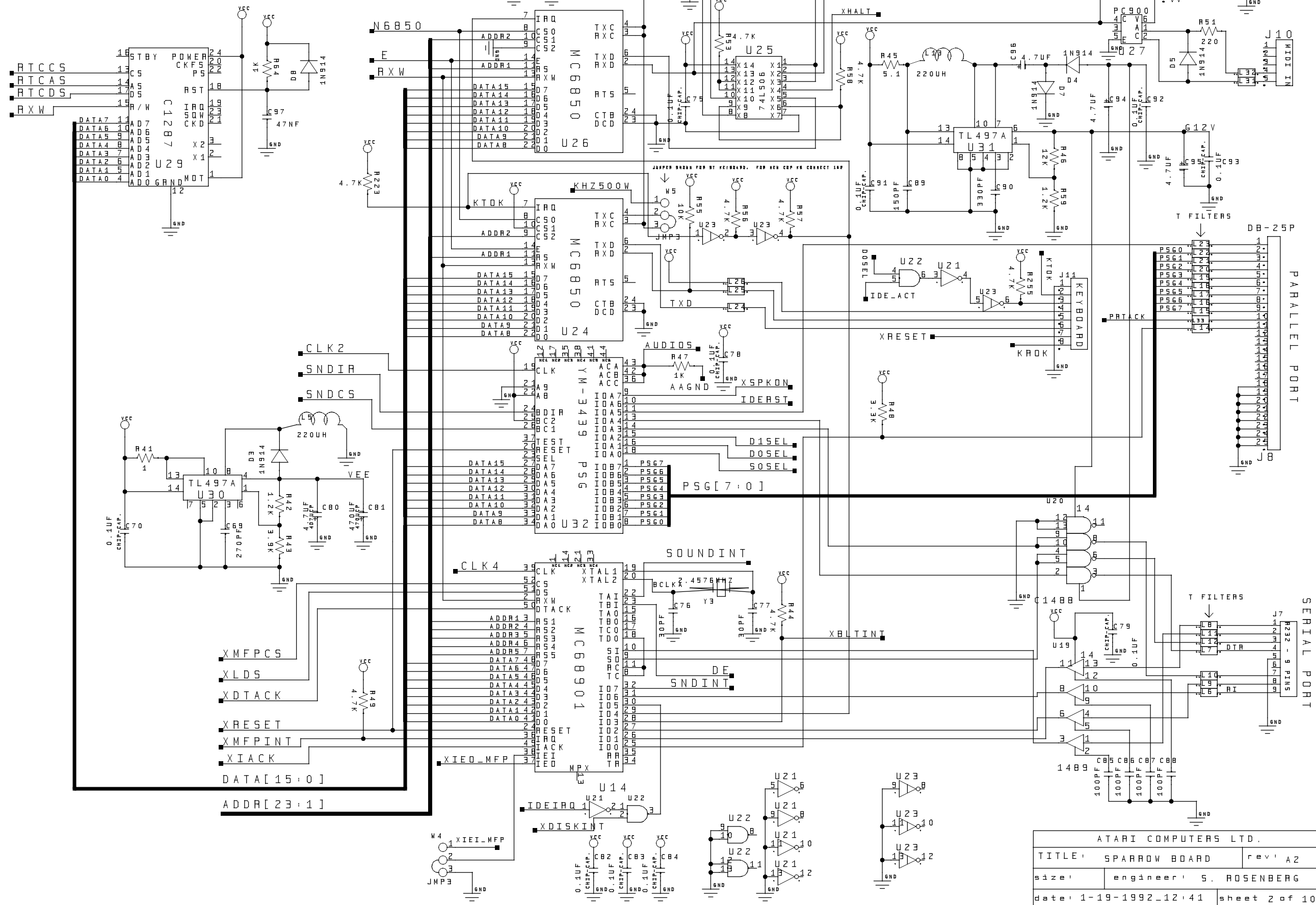
note: Jumpers are shown set for 1Mb EPROM (27010)

Recovered 3-29-2024 by Wizztronics

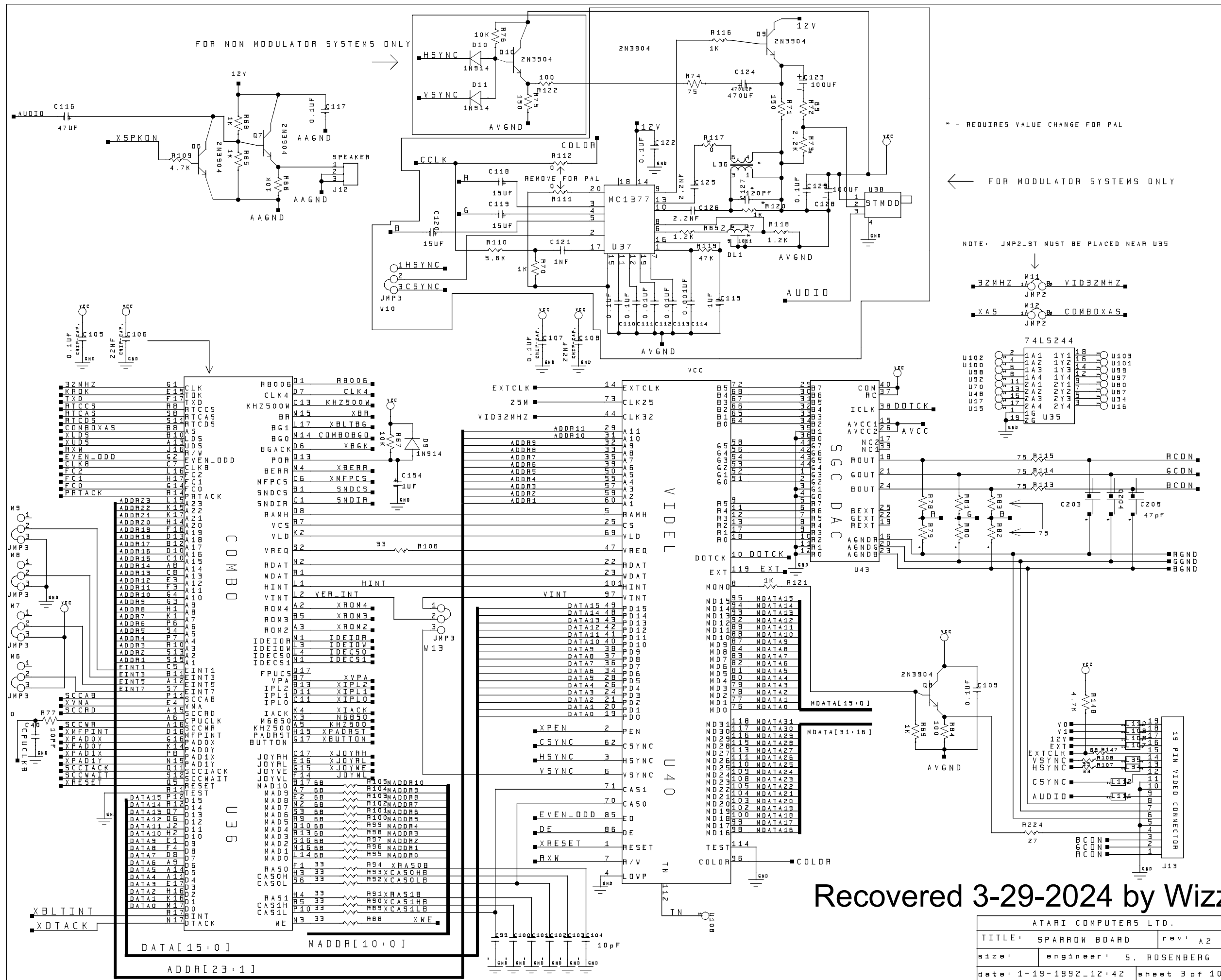
ATARI COMPUTERS LTD.

TITLE: SPARROW BOARD	rev: A2
size: engineer: S. ROSENBERG	
date: 1-19-1992_12:41	sheet 1 of 10

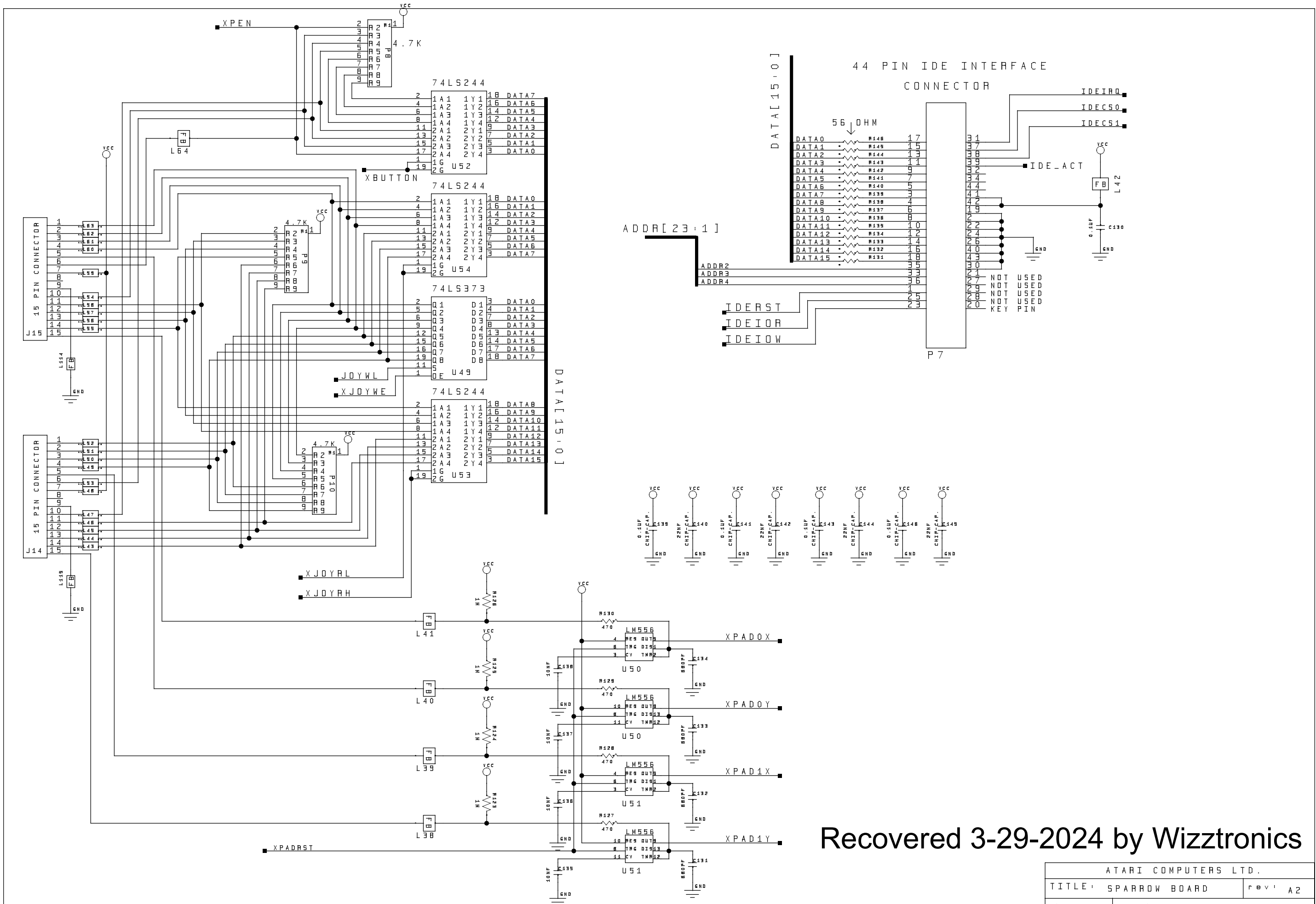
# Recovered 3-29-2024 by Wizztronics



ATARI COMPUTERS LTD.	
TITLE: SPARROW BOARD	Rev: A2
size:	engineer: S. ROSENBERG
date: 1-19-1992-12-41	sheet 2 of 10

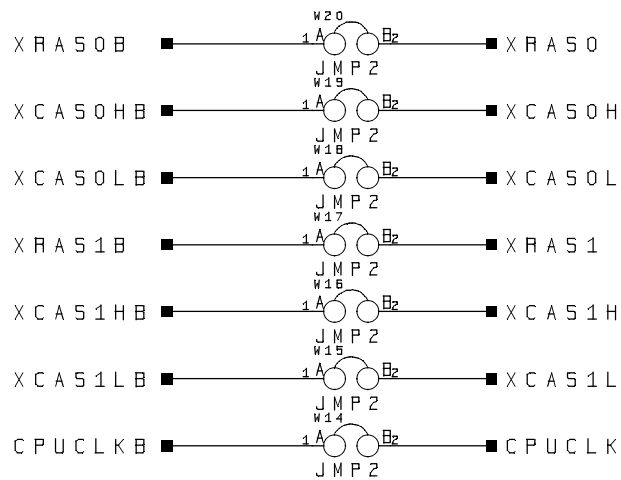


Recovered 3-29-2024 by Wizztronics

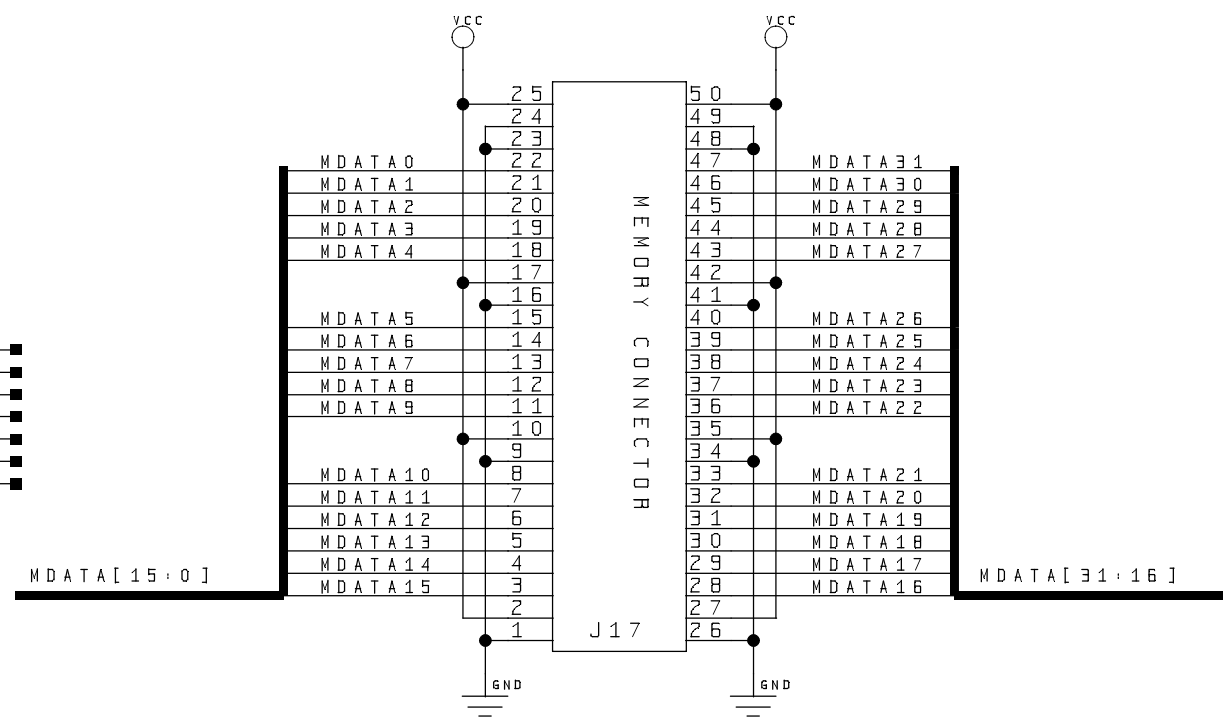
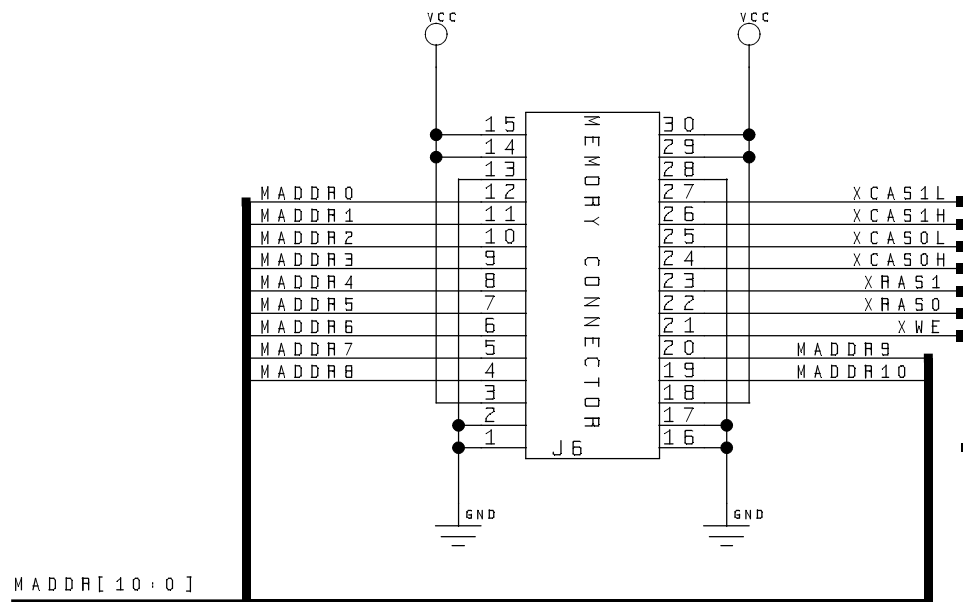


Recovered 3-29-2024 by Wizztronics

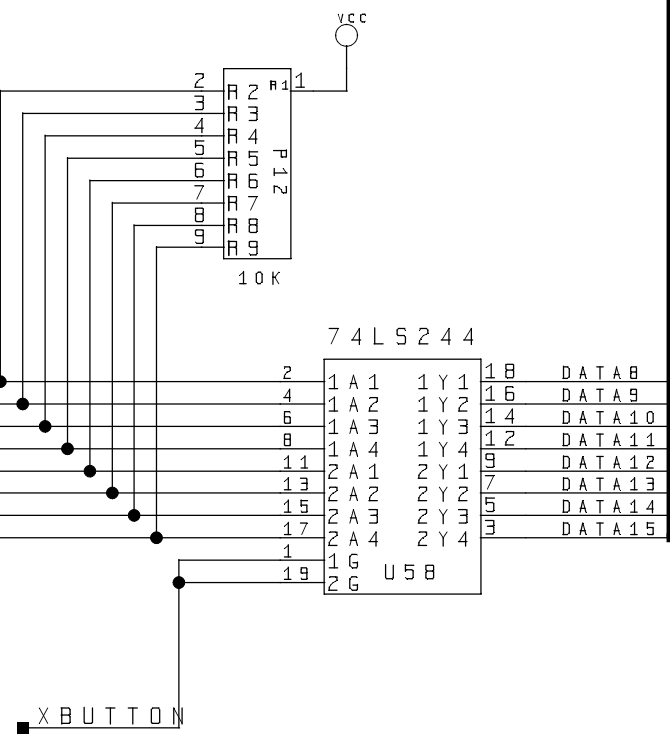
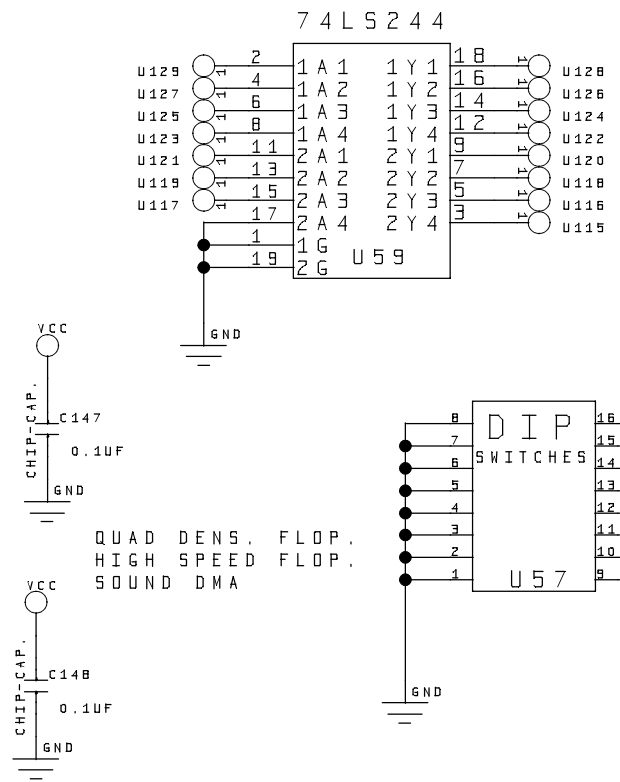
ATARI COMPUTERS LTD.	
TITLE: SPARROW BOARD	rev: A2
size:	engineer: S. ROSENBERG
date: 1-19-1992-12-42	sheet 4 of 10



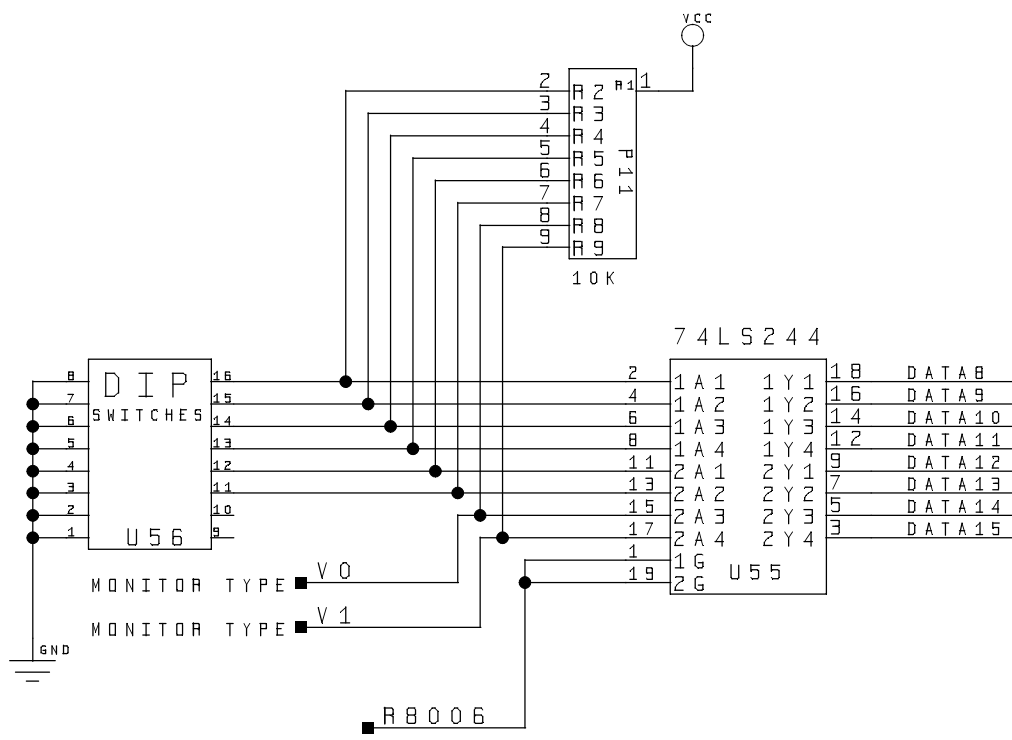
THESE JUMPERS SHOULD BE LOCATED AS CLOSE AS POSSIBLE TO U59



DATA[15:0]



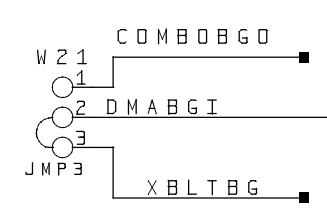
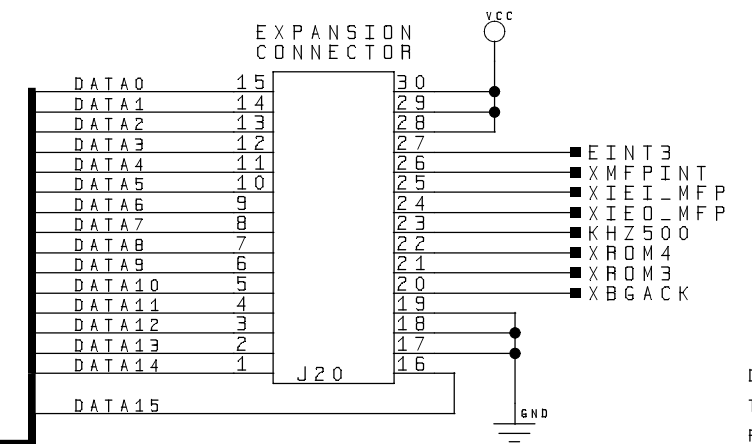
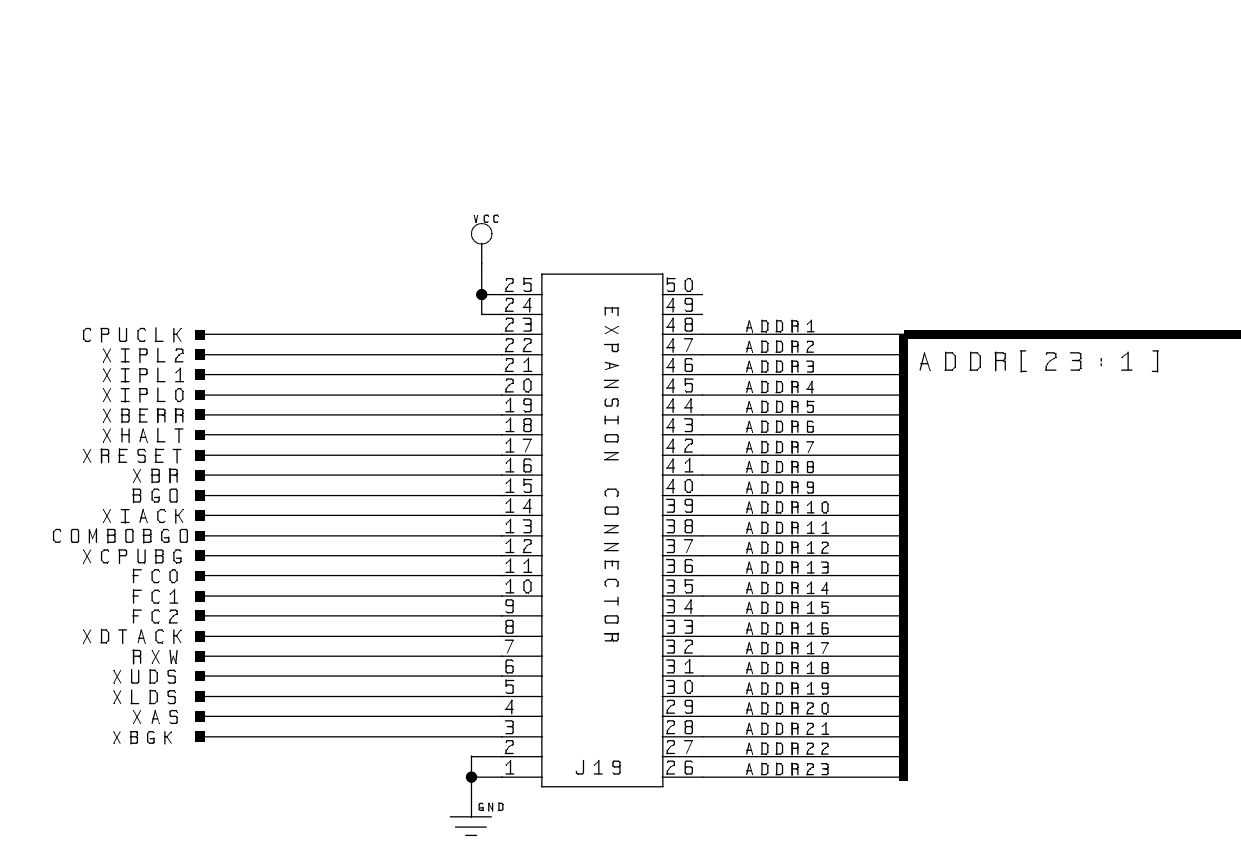
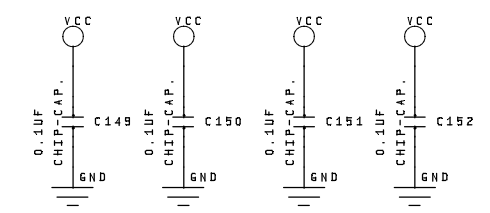
RAM WAIT STATE  
16/32 VIDEO BUS  
ROM WAIT STATE  
ROM WAIT STATE  
DRAM TYPE  
DRAM TYPE



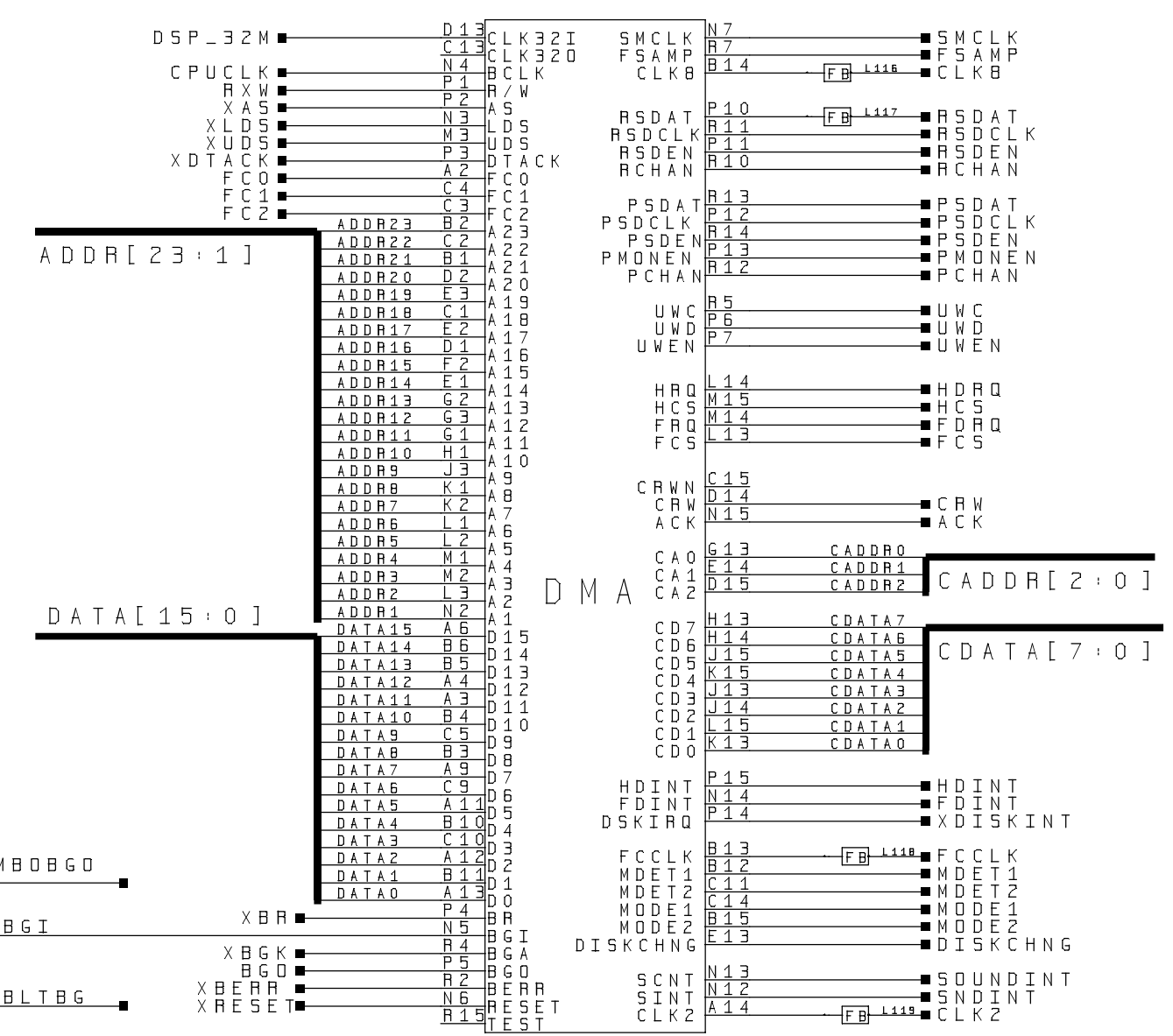
R8006

Recovered 3-29-2024 by Wizztronics

ATARI COMPUTERS LTD.	
TITLE: SPARROW BOARD	rev: A2
size:	engineer: S. ROSENBERG
date: 1-19-1992_12:42	sheet 5 of 10



DEFAULT JUMPER SHOWN FOR COMBEL THAT DOES NOT CONTAIN BLITTER FOR COMBEL WITH BLITTER SHORT SHOULD BE BETWEEN 1 & 2



DATA[15:0]

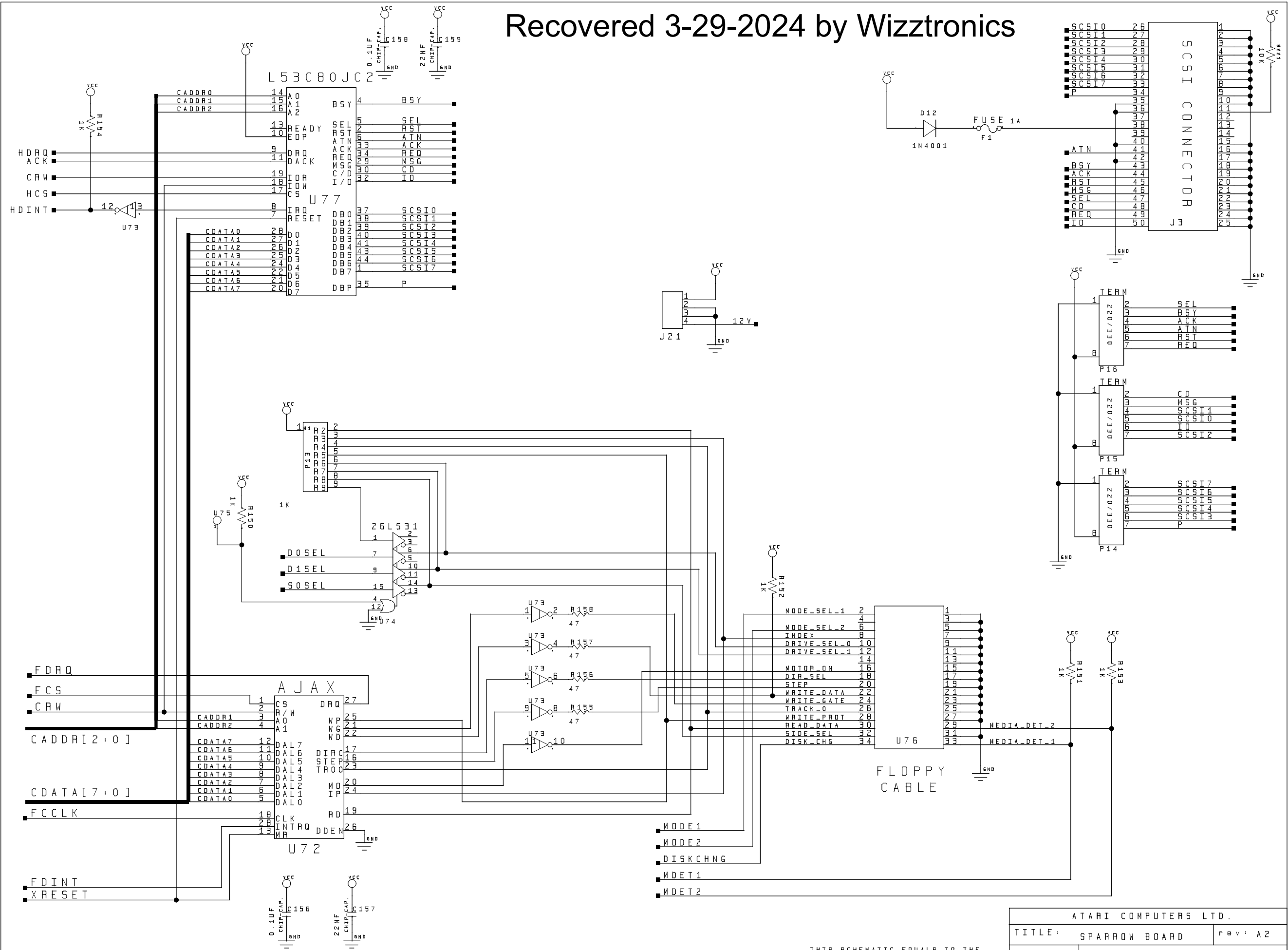
U 7 1

THIS SCHEMATIC EQUALS TO THE FIRST SCHEMATIC OF THE DMA CIRCUIT

ATARI COMPUTERS LTD.	
TITLE: SPARROW BOARD	rev: A2
size:	engineer: S. ROSENBERG
date: 1-19-1992_12:42	sheet 6 of 10

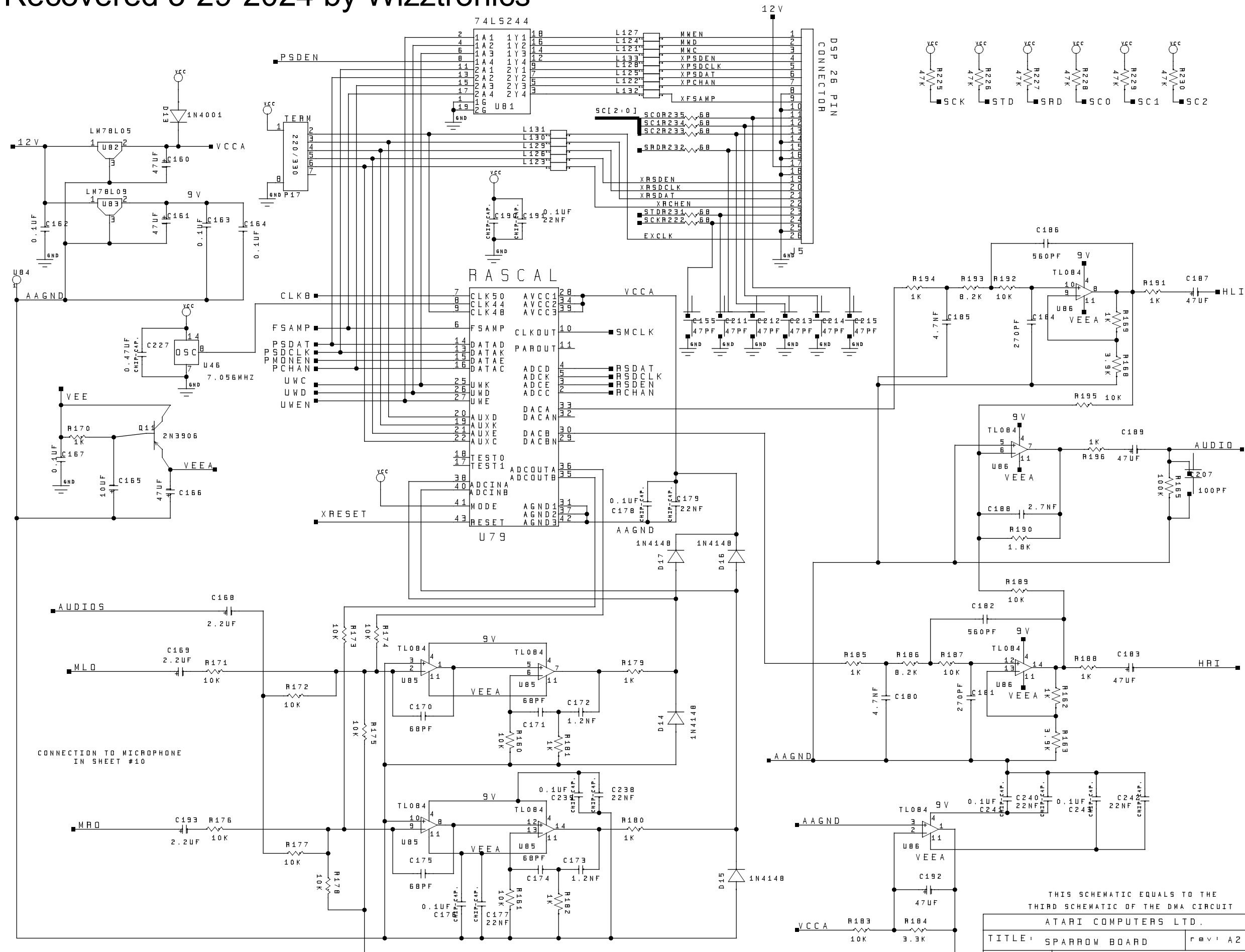
Recovered 3-29-2024 by Wizztronics

Recovered 3-29-2024 by Wizztronics



ATARI COMPUTERS LTD.	
TITLE: SPARROW BOARD	rev: A2
size:	engineer: S. ROSENBERG
date: 1-19-1992_12:42	sheet 7 of 10

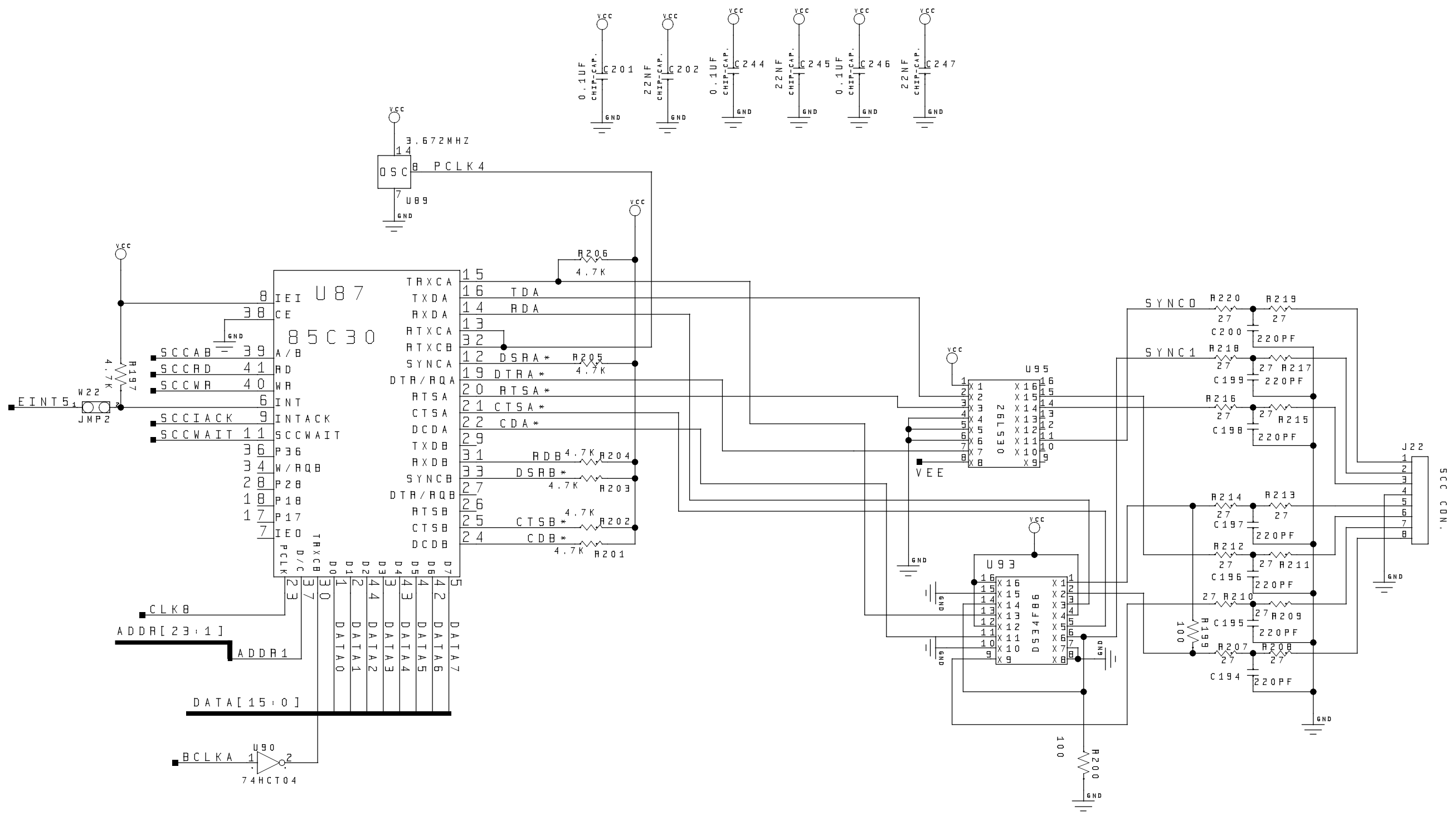
THIS SCHEMATIC EQUALS TO THE SECOND SCHEMATIC OF THE DNA CIRCUIT



THIS SCHEMATIC EQUALS TO THE  
THIRD SCHEMATIC OF THE DMA CIRCUIT  
ATARI COMPUTERS LTD.

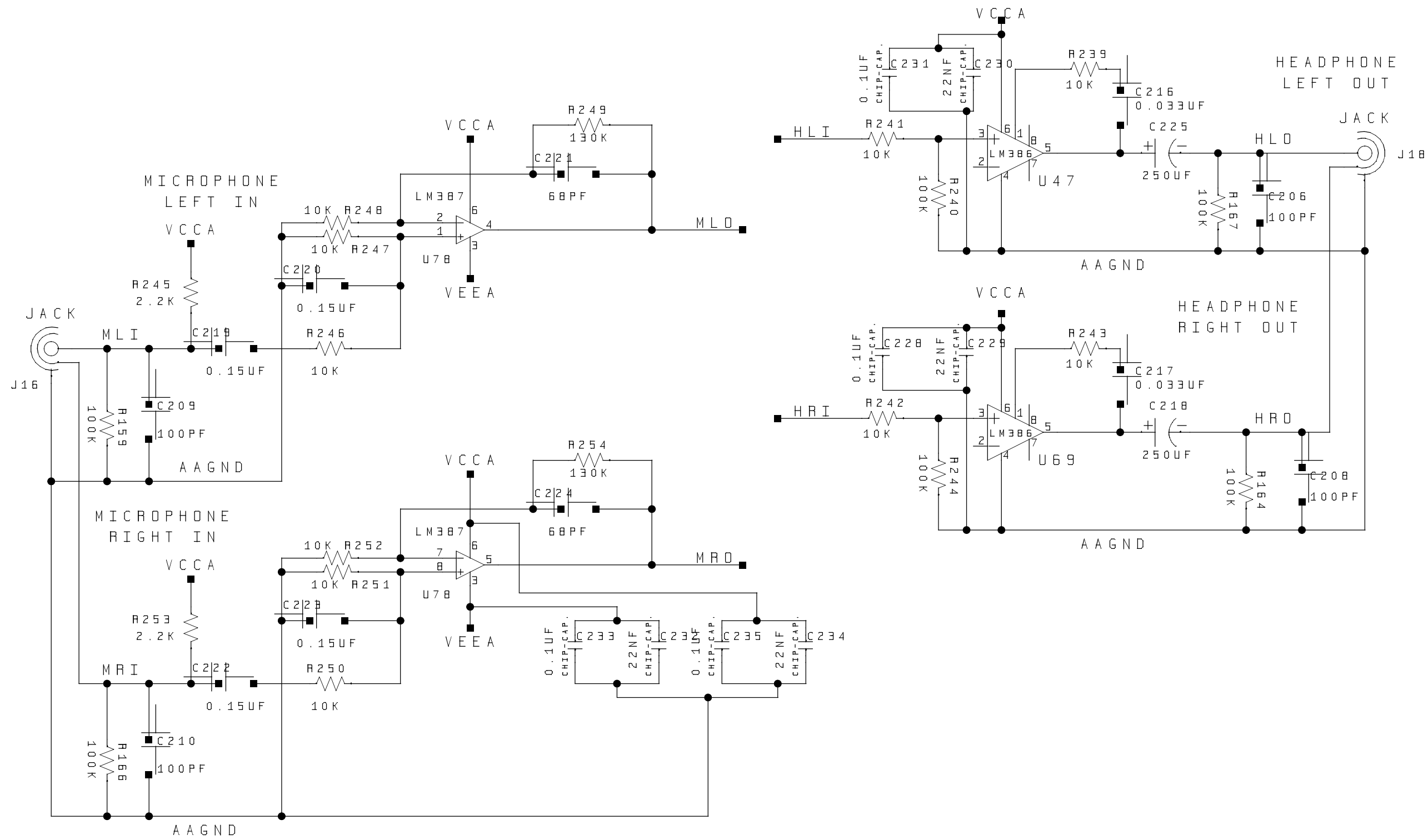
TITLE: SPARROW BOARD	rev: A2
size: _____	engineer: S. ROSENBERG
date: 1-19-1992_12:42	sheet 8 of 10





Recovered 3-29-2024 by Wizztronics

ATARI COMPUTERS LTD.	
TITLE: SPARROW BOARD	rev: A2
size:	engineer: S. ROSENBERG
date: 1-19-1992_12:42	sheet 9 of 10



Recovered 3-29-2024 by Wizztronics

ATARI COMPUTERS LTD.	
TITLE: SPARROW BOARD	rev: A2
size:	engineer: S. ROSENBERG
date: 1-19-1992-12:42	sheet 10 of 10